



**SC0040**  
white finish

### General description

- Exclusive hotel bathroom wall mounting hair dryer with a functional, robust and trendy design that blends into any space perfectly such as hotels, hospitals and elderly care centers.
- This powerful and long-lasting hair dryer is push-button activated and has a total power of 1.800W.
- Two heat/speed settings and a cool shot moving the push-button up and down. Position “1” for hot heating, position “2” for warm heating and position “C” for cool shot.

### Components & materials

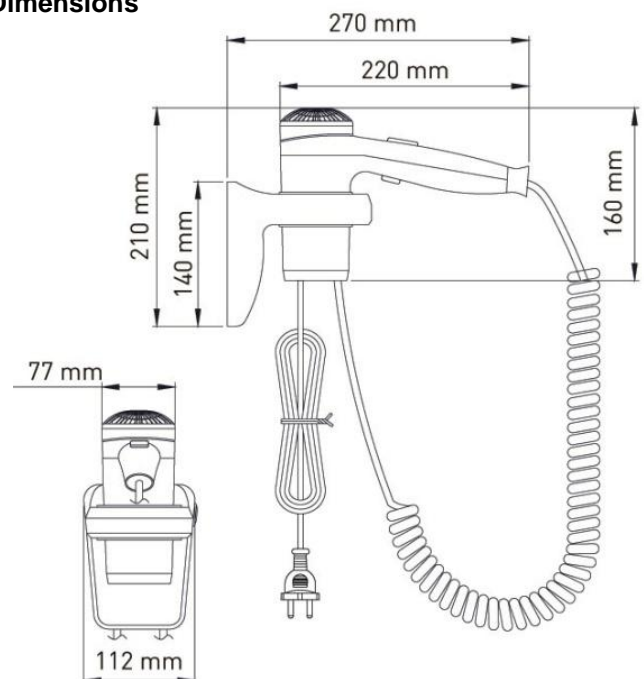
- **SC0040**: plastic ABS, white finish.
- White ABS plastic wall support.
- 1,600W heating element that includes a safety thermal cut-out.
- Speed selector with three settings (hot heating, warm heating and cool shot).
- Heavy-duty 650-1,800mm coiled power cord.
- Plug with 1,000mm power cord.
- Turbine made in polycarbonate plastic.

### Technical Specifications

<b>Voltage</b>	220- 240 V
<b>Frequency</b>	50/60 Hz
<b>Electrical Isolation</b>	Class II
<b>Total power</b>	200-1,800 W
<b>Consumption</b>	0.9 – 7 A
<b>Motor power</b>	170 W
<b>Rpm</b>	9,000-18,000
<b>Heating element power</b>	1,600 W
<b>Dimensions</b>	160 x220 x 77 mm
<b>Weight</b>	0,8 Kg
<b>Effective airflow</b>	80 m3/h (1,330 L/min)
<b>Air velocity</b>	60 Km/h
<b>Air temperature (10 cm distance/21°C)</b>	63°C
<b>Sound pressure (*) (at 2m)</b>	68 dBA
<b>Protection rating</b>	IP20

(\*) According to UNE EN ISO 11201:2010 V2 standard.

### Dimensions



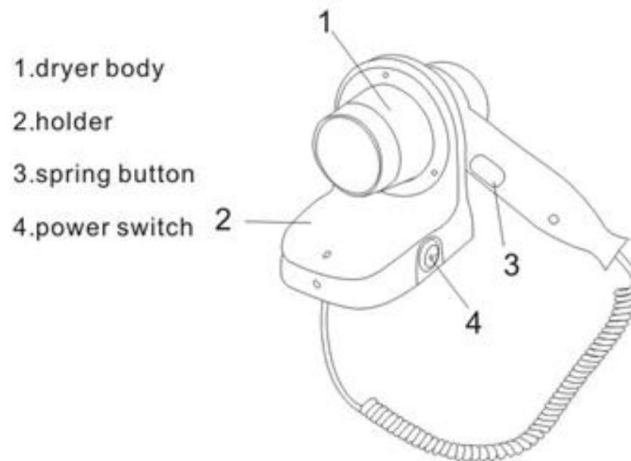
Dimensions ± 4%

---

## Operation

---

Switch on general power and pick up the dryer body. The dryer will work when the spring button is held on; move the push button up and down for higher or lower heating. "1" for hot heating, "2" for warm heating "C" for cool shot.

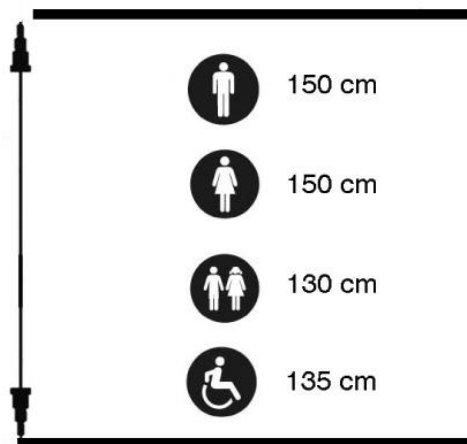


---

## Mounting

---

### Recommended heights distance from the floor



---

## Certificates & Qualifications

---



Mediclinics, S.A., reserves the right to make changes and/or modifications to the products and their specifications without prior notice.  
Revision 09-15 © mediclinics S.A.

