

COLLECTIVE USE

Automatic



SC0009
White finish



SC0009CS
Satin finish

General Description

- Machflow® automatic hair dryers with flex hose and handle made in stainless steel for a collective use. It provides important energy savings and an ultra-fast hair drying. Solutions with an avant-garde design and with two different finishes (white or satin) so that the dryers can easily blend in with the decoration.
- Maximum air power and effective airflow.
- Long lasting compact units with anti-Vandalism features.
- Suitable for very high traffic areas and for collective use.
- Maximum air velocity 230 Km/h.
- Optionally it is also possible to incorporate a system to install and uninstall the hair dryer quickly (Kit "Plug-In" code KT009).
- The hair dryer disconnects automatically after 60 seconds of continuous use.

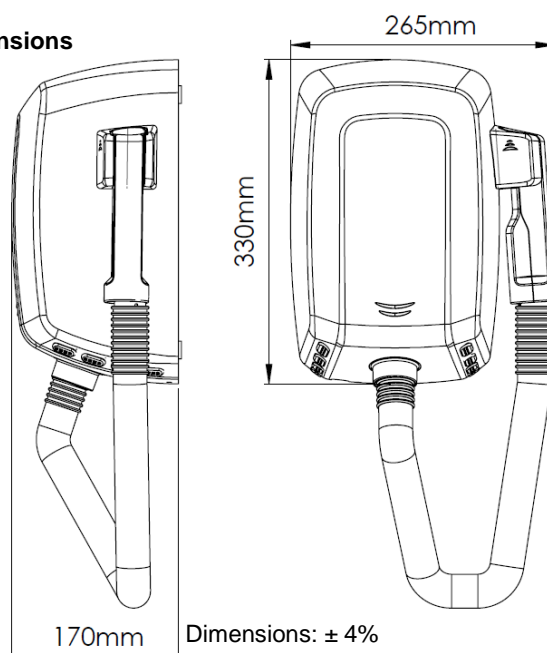
Components & materials

- **SC0009:** Stainless steel AISI 304 one-piece cover white Epoxy finish.
- **SC0009CS:** Stainless steel AISI 304 one-piece cover satin finish.
- **COVER:** weld free one-piece cover made in stainless steel AISI 304, 1.5 mm thick.
- **MOTOR:** high pressure brushed motor 400 W maximum power, class F. Motor power may be adjusted manually between 200 W and 400 W, by means of a potentiometer.
- **HEATING ELEMENT:** Cr/Al spiral wire 600W, thermally protected thanks to a self resettable thermal cut-out. The heating element has an "on/off" switch to connect or disconnect it manually.
- **BASE PLATE:** made in PA6V0, includes 4 silent-blocks to cushion mechanical vibrations.
- **MOTOR ENCLOSURE:** made in PA6V0.
- **HOSE:** made in white polyurethane with stretching springsteel spiral and with a handle connector made in PBT (Polybutylene).
- **HANDLE:** made in plastic ABS.
- **PLUG-IN SYSTEM:** fast install/uninstall technology to the wall are OPTIONALLY available by means of a special kit code KTP009.

Technical Specifications

Voltage	220- 240 V
Frequency	50/60 Hz
Electrical Isolation	Class I
Total power	200 – 1,000 W
Consumption	2.4 – 5.2 A
Motor power	200 - 400 W
Rpm	14,000 – 19,000
Heating element power	0 - 600 W(on/off switch)
Dimensions	330x265x170 mm
Weight	5.6 Kg
Cover thickness	1.5 mm
Air velocity	150 – 230 Km/h
Air temperature (10 cm distance/25°C)	37°C - 44°C
Sound pressure (at 2m)	65-73 dBA
Hose length	800 – 2,000 mm
Protection rating	IP23

Dimensions

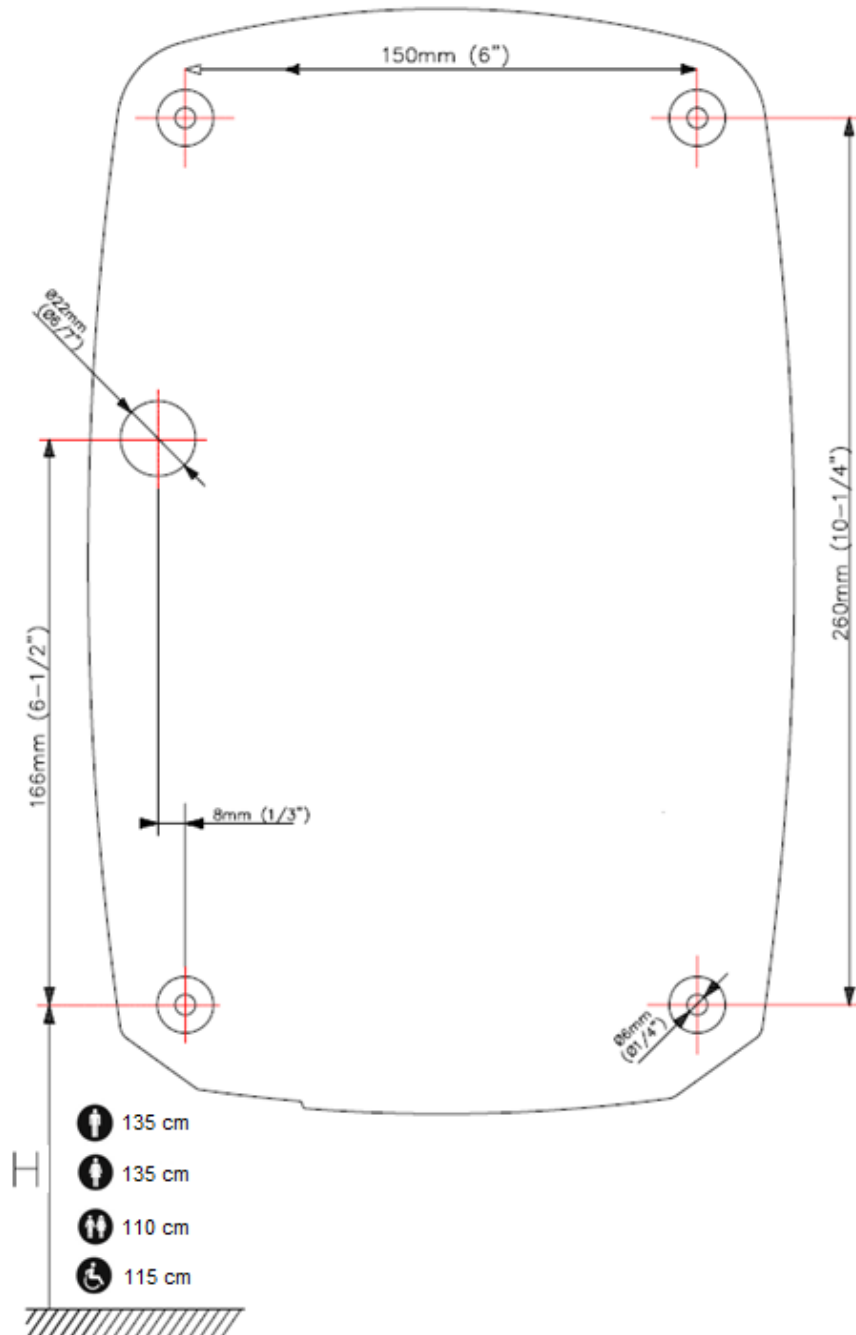


Operation

Lift the ergonomic handset from its holder. The drying process initiates automatically and the dryer work with no interruption for 60 seconds. Please direct the handset to the hair, hands or body at your own convenience. Once you are finished, hang up the handset on the holder. The hair dryer stops automatically.

Mounting

Recommended heights distance from the floor



Plug-in System

The Machflow® Plug-in technology is an easy, practical, fast and secure system to install and uninstall a hand dryer, making maintenance much more efficient and reducing at the same time its costs.



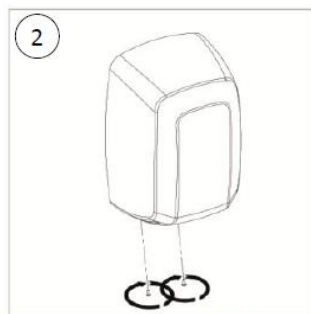
With the Machflow® Plug-in technology a hand dryer can be installed in only three main steps, it can be replaced in less than 10 seconds thanks to its SMED (Single-Minute Exchange of Die) system, its maintenance can be carried out better at the maintenance workshop and it is totally secure against electric shocks. All of these benefits allow you to reduce the maintenance costs.

This fast install/uninstall technology to the wall **is optional** and it is carried out by means of a special kit code: KTP009.

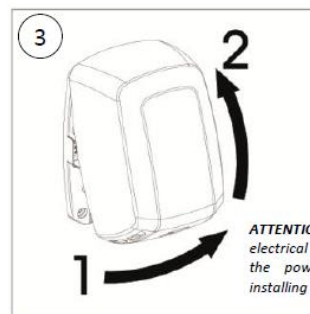
Installation of the hair dryer with this system is as follows:



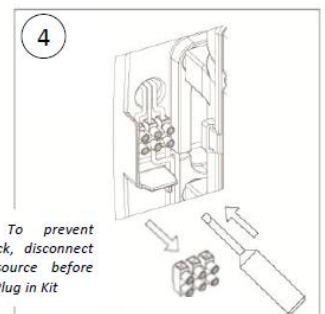
1
The Plug in Kit is compatible with the Machflow hand dryer and the Machflow hairdryer



2
Unscrew the cover screws (x2)

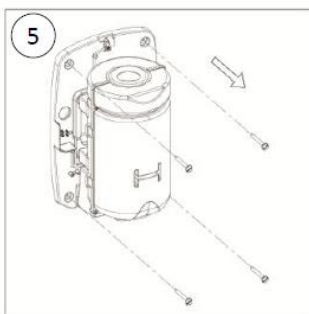


3
Remove the cover by a rotating movement

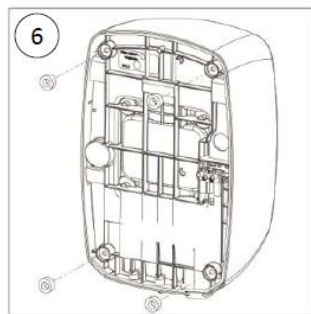


4
Disconnect the wires and remove the power strip

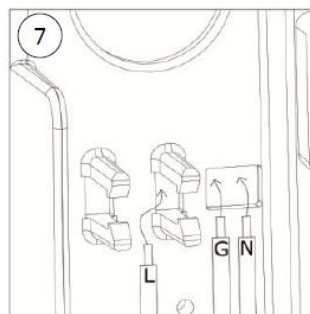
ATTENTION: To prevent electrical shock, disconnect the power source before installing the Plug in Kit



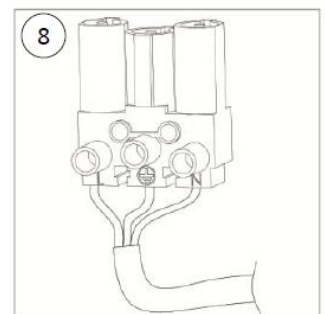
5
Unscrew the wall mount screws (x4)



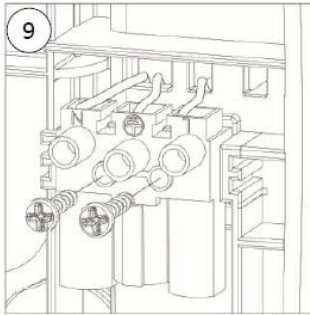
6
Remove the silent blocks from the back of the unit (x4)



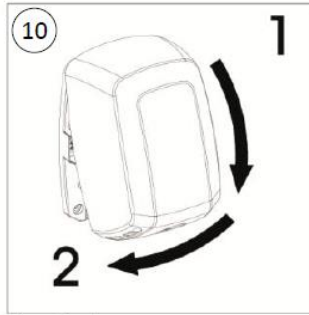
7
Route the wires through the holes to the back of the unit as shown on the picture



8
At the back of the unit, connect the wires to the fast connector following the engraved letters (N, L and Earth)



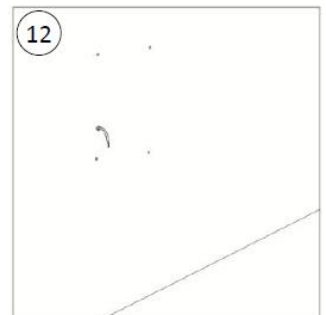
9 Fix the fast connector to the back of the unit using 2 screws



10 Close the dryer cover



11 Screw the cover fixing screws (x2)
Your dryer is now ready to be used on



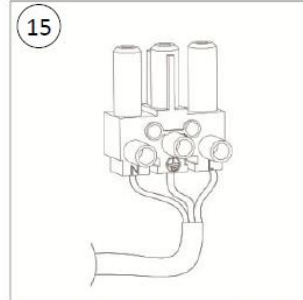
12 Same wall holes may be used for the Plug-in installation



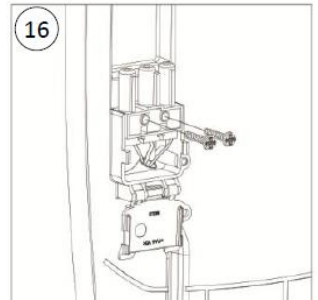
13 Route the wires through the Plug-in base as shown on the picture



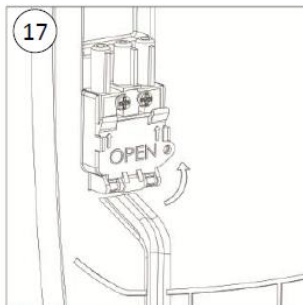
14 Screw the Plug-in base to the wall(x4)



15 Connect the wires to the fast connector following the engraved

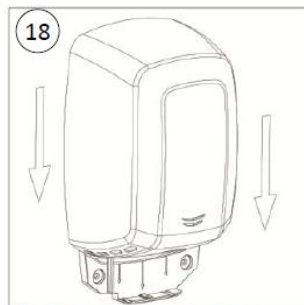


16 Fix the fast connector to the Plug-in base using 2 screws

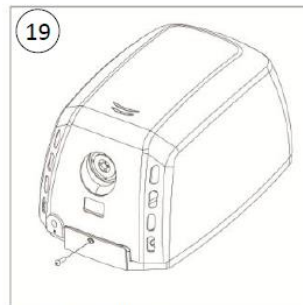


17 Close the security cover

Your Plug-in base is now ready to be used with a Plug-in dryer



18 Mount the dryer over the Plug-in base with a from top to down movement



19 Screw the safety screw

Your dryer is ready to be used

Certificates & Qualifications



Mediclinics, S.A., reserves the right to make changes and/or modifications to the products and their specifications without prior notice.
Review 03-21 © mediclinics S.A.

