

90° angled bar stainless steel AISI 304

Medinox series



BAD090C
Bright finish



BAD090CS
Satin finish



BAI090C
Bright finish



BAI090CS
Satin finish

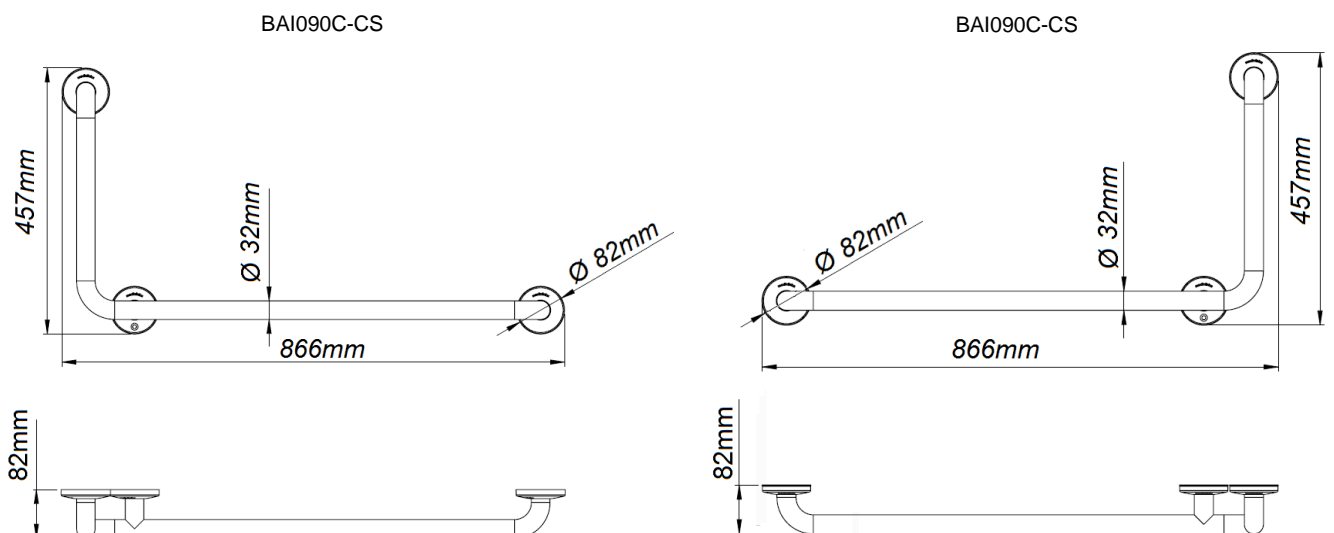
General description

- Grab bar, 90° angle to the right (BAD090C & BAD090CS) or to the left (BAI090C & BAI090CS) with snap flange cover, made of stainless steel AISI 304, for showers, baths and changing rooms.
- These grab bars are very useful and highly recommended to achieve barrier-free accessibility both residential and public spaces.
- Concealed screw mounting flanges.
- Highest durability and rusting resistance.
- Mounting hardware for brick wall is included for easy installation.

Components and materials

- **BAD090C & BAI090C:** AISI 304 stainless steel, bright finish.
- **BAD090CS & BAI090CS:** AISI 304 stainless steel, satin finish.
- **TUBING:** made of 32 mm diameter tube, seamless construction. The bending process guarantees the uniformity of the diameter along the bends.
- **CONCEALED WALL BRACKET:** three units made of AISI 304 stainless steel, 3 mm thick. Incorporates two Ø 6.5 mm screws holes for wall mounting.
- **SNAP FLANGE COVER:** three units made of stainless steel AISI 304, 0.8 mm thick and Ø 82 mm. Each cover snaps over mounting flange to conceal mounting screws.

Dimensions



Dimensions: ± 4%

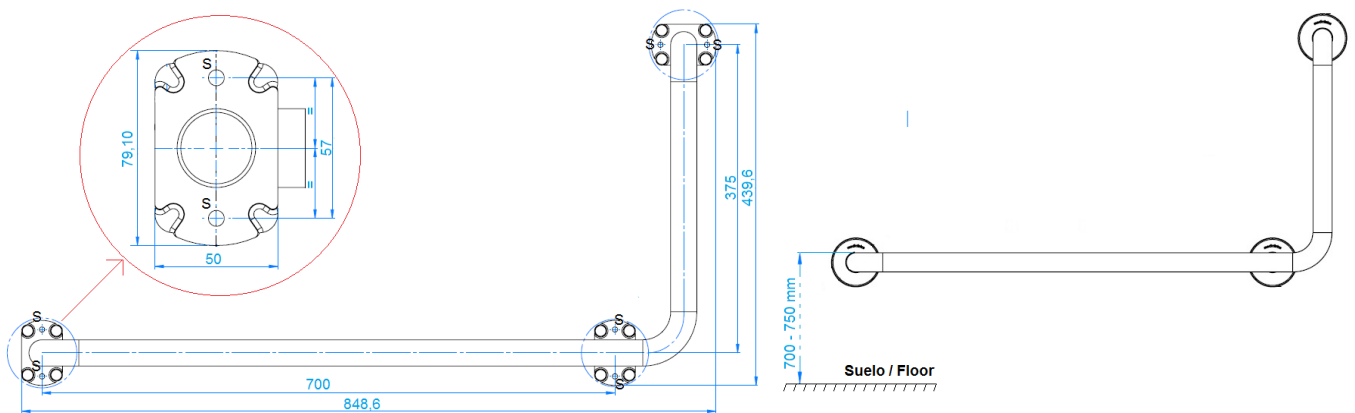
Technical specifications

Dimensions	866 x 457 x 82 mm
Bar tube	Ø 32mm
Wall bracket dimensions	50 x 79.10 x 3 mm
Wall bracket thickness	3 mm
Snap flange cover	Ø 82 mm
Snap flange cover thickness	0.8 mm

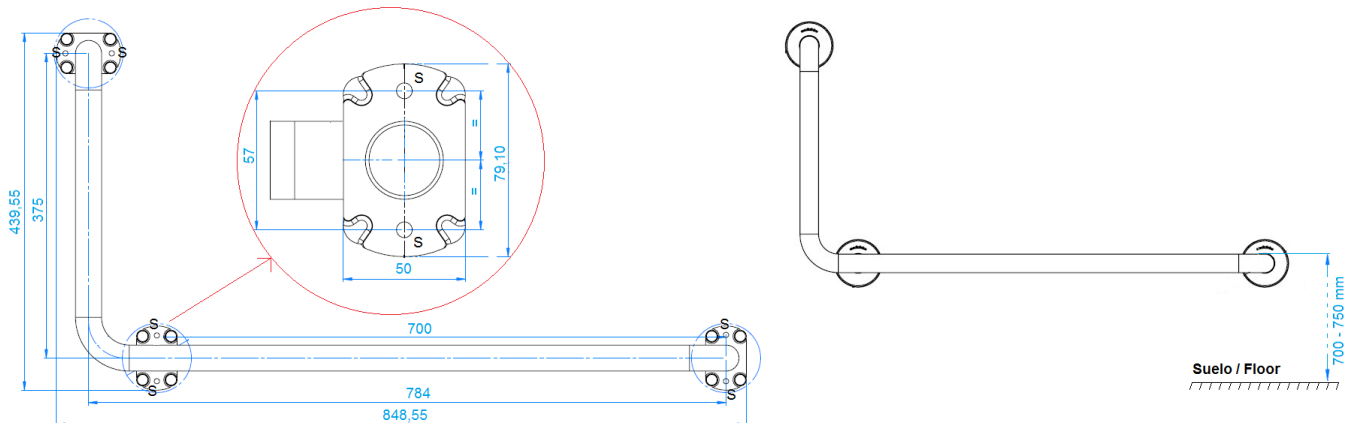
MOUNTING TEMPLATE

Fix the grab bar to the wall through the 2 holes of each wall brackets to the wall, using the screws provided and taking into account the distances of the points indicated by an "S" in the following figure:

BAD090C-CS



BAI090C-CS



Mediclinics is not responsible for corrosion that may appear on the bars caused by abrasion on the anchorage points because of an improper installation.

Mediclinics, S.A., reserves the right to make changes and/or modifications to the products and their specifications without prior notice
 Review 06-21 © mediclinics S.A.

