

**Holder for spare toilet paper roll**

Código: **AI0100C**

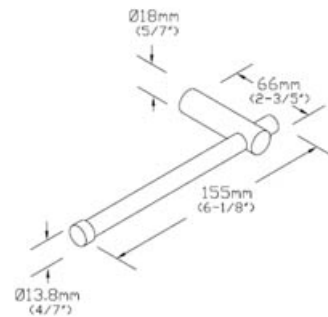
**General description**

- Holder for toilet paper roll, stainless steel AISI 304, bright finish, for wall mounting.
- Suitable for the hotel sector, for fitting out the bathrooms in the hotel rooms.
- Model suitable for public use.
- With no removable components.
- It normally goes along with a stainless steel tower ring or rail.



**Components and Materials**

- Stainless steel AISI 304 support to the wall, one piece, 0.8 mm thick, bright finish. Completely welded construction. Mounting on the wall by means of 1 screw.
- Stainless steel AISI 304 cylindrical axis for the roll, 13,8 mm Ø.



Dim.: ±4%

**Technical Specifications**

Dimensions - 18 x 155 x 66 mm

Distance from the wall - 66 mm

**Operation**

No specific instructions for its use required.

**Certificates & Qualifications**

ISO 9001:2008.

Mediclinics, S.A., reserves the right to make changes and/or modifications to the products and their specifications without prior notice.

mediclinics S.A

