

Symbol		Dimensions					kg m3 pcs	Composition elements
		W1	W2	D1	D2	H		
<b>TRA13</b>		856	820			1090	59 kg 0.124 m3 3 pcs	TR1L+TR08+TR1P

Extra charge						

Symbol		Dimensions					kg m3 pcs	Composition elements
		W1	W2	D1	D2	H		
<b>TRA14</b>		1056	877			1159	83 kg 0.32 m3 4 pcs	TR1L+TR10+TR99+TR1P
<b>TRA15</b>		1256	877			1159	87 kg 0.332 m3 4 pcs	TR1L+TR12+TR99+TR1P
<b>TRA16</b>		1456	877			1159	89 kg 0.344 m3 4 pcs	TR1L+TR14+TR99+TR1P

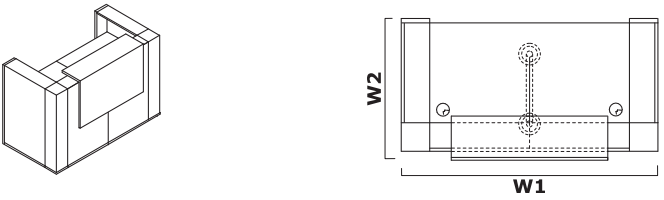
Extra charge						
Monitor shelf x1						
X						
X						
X						

Symbol		Dimensions					kg m3 pcs	Composition elements
		W1	W2	D1	D2	H		
<b>TRA17</b>		1656	877			1159	103 kg 0.425 m3 6 pcs	TR1L+2xTR08+TR99+TR1P+NL41
<b>TRA18</b>		2056	877			1159	117 kg 0.449 m3 6 pcs	TR1L+2xTR10+TR99+TR1P+NL41
<b>TRA19</b>		2456	877			1159	125 kg 0.473 m3 6 pcs	TR1L+2xTR12+TR99+TR1P+NL41
<b>TRA20</b>		2856	877			1159	129 kg 0.498 m3 6 pcs	TR1L+2xTR14+TR99+TR1P+NL41

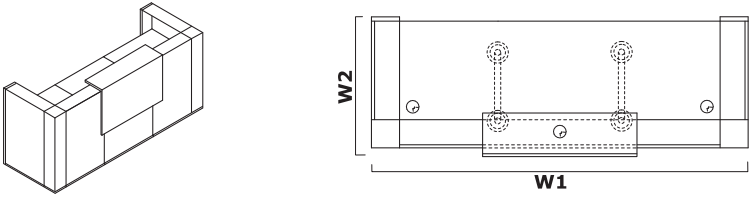
Extra charge						
Monitor shelf x1	Monitor shelf x 2					
X	X					
X	X					
X	X					

Symbol		Dimensions					kg m3 pcs	Composition elements
		W1	W2	D1	D2	H		
<b>TRA117</b>		1656	820			1090	86 kg 0.242 m3 5 pcs	TR1L+2xTR08+TR1P+NL41
<b>TRA118</b>		2056	820			1090	100 kg 0.266 m3 5 pcs	TR1L+2xTR10+TR1P+NL41
<b>TRA119</b>		2456	820			1090	108 kg 0.29 m3 5 pcs	TR1L+2xTR12+TR1P+NL41
<b>TRA120</b>		2856	820			1090	112 kg 0.314 m3 5 pcs	TR1L+2xTR14+TR1P+NL41

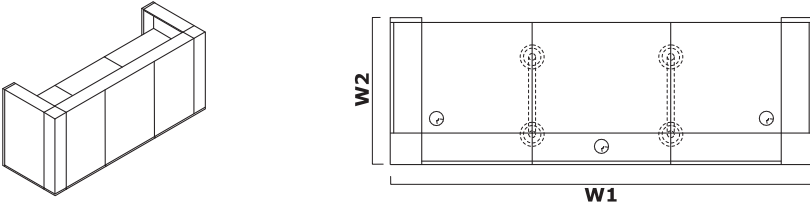
Extra charge						
Monitor shelf x1	Monitor shelf x 2					
X	X					
X	X					
X	X					

							
Symbol	Dimensions					kg m3 pcs	Composition elements
	W1	W2	D1	D2	H		
<b>TRA42</b>	1640	905			1159	99 kg 0.46 m3 8 pcs	TR4L+2xTR90+TR4P+TR99+NL41

Extra charge						

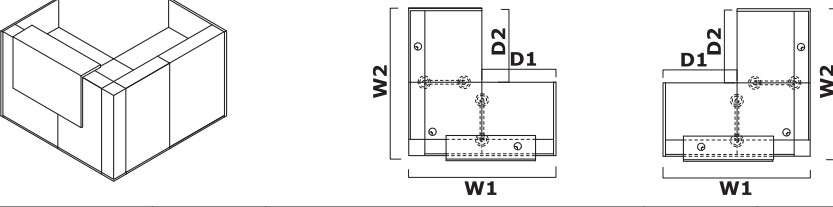
							
Symbol	Dimensions					kg m3 pcs	Composition elements
	W1	W2	D1	D2	H		
<b>TRA21</b>	2440	905			1159	126 kg 0.577 m3 10 pcs	TR4L+2xTR90+TR08+TR4P+TR99+2xNL41
<b>TRA22</b>	2640	905			1159	133 kg 0.59 m3 10 pcs	TR4L+2xTR90+TR10+TR4P+TR99+2xNL41
<b>TRA23</b>	2840	905			1159	137 kg 0.602 m3 10 pcs	TR4L+2xTR90+TR12+TR4P+TR99+2xNL41
<b>TRA24</b>	3040	905			1159	139 kg 0.614 m3 10 pcs	TR4L+2xTR90+TR14+TR4P+TR99+2xNL41

Extra charge						
<b>Monitor shelf x1</b>						
X						
X						
X						



Symbol	Dimensions					kg m3 pcs	Composition elements
	W1	W2	D1	D2	H		
<b>TRA121</b>	2440	848			1090	109 kg 0.394 m3 9 pcs	TR4L+2xTR90+TR08+TR4P +2xNL41
<b>TRA122</b>	2640	848			1090	116 kg 0.406 m3 9 pcs	TR4L+2xTR90+TR10+TR4P +2xNL41
<b>TRA123</b>	2840	848			1090	120 kg 0.418 m3 9 pcs	TR4L+2xTR90+TR12+TR4P +2xNL41
<b>TRA124</b>	3040	848			1090	122 kg 0.43 m3 9 pcs	TR4L+2xTR90+TR14+TR4P +2xNL41

Extra charge						
Monitor shelf x1						
X						
X						
X						



Symbol	Dimensions					kg m3 pcs	Composition elements
	W1	W2	D1	D2	H		
<b>TRA25</b>	1648	1648			1159	141 kg 0.586 m3 9 pcs	TR1L+TR08+TR90+TR08+TR1P +TR99+2xNL41
<b>TRA26</b>	1848	1648			1159	148 kg 0.598 m3 9 pcs	TR1L+TR08+TR90+TR10+TR1P +TR99+2xNL41
<b>TRA27</b>	2048	1648			1159	152 kg 0.611 m3 9 pcs	TR1L+TR08+TR90+TR12+TR1P +TR99+2xNL41
<b>TRA28</b>	2248	1648			1159	154 kg 0.623 m3 9 pcs	TR1L+TR08+TR90+TR14+TR1P +TR99+2xNL41

Extra charge						
Monitor shelf x1						
X						
X						
X						

Symbol		Dimensions					kg m3 pcs	Composition elements
		W1	W2	D1	D2	H		
<b>TRA29</b>		3240	1705			1159	250 kg 1.166 m3 17 pcs	TR1L+2xTR08+2xTR90+2xTR08 +TR1P+2xTR99+5xNL41
<b>TRA30</b>		3640	1705			1159	264 kg 1.19 m3 17 pcs	TR1L+2xTR08+2xTR90+2xTR10+TR1P+2xTR99+5xNL41
<b>TRA31</b>		4040	1705			1159	272 kg 1.214 m3 17 pcs	TR1L+2xTR08+2xTR90+2xTR12+TR1P+2xTR99+5xNL41
<b>TRA32</b>		4440	1705			1159	276 kg 1.239 m3 17 pcs	TR1L+2xTR08+2xTR90+2xTR14 +TR1P+2xTR99+5xNL41

Extra charge					
Monitor shelf x1	Monitor shelf x 2				
X	X				
X	X				
X	X				

Symbol		Dimensions					kg m3 pcs	Composition elements
		W1	W2	D1	D2	H		
<b>TRA129</b>		3354	1705			1159	267 kg 1.349 m3 18 pcs	TR1L+2xTR08+2xTR90+2xTR08 +TR1P+3xTR99+5xNL41
<b>TRA130</b>		3754	1705			1159	281 kg 1.374 m3 18 pcs	TR1L+2xTR08+2xTR90+2xTR10 +TR1P+3xTR99+5xNL41
<b>TRA131</b>		4154	1705			1159	289 kg 1.398 m3 18 pcs	TR1L+2xTR08+2xTR90+2xTR12 +TR1P+3xTR99+5xNL41
<b>TRA132</b>		4554	1705			1159	293 kg 1.422 m3 18 pcs	TR1L+2xTR08+2xTR90+2xTR14 +TR1P+3xTR99+5xNL41

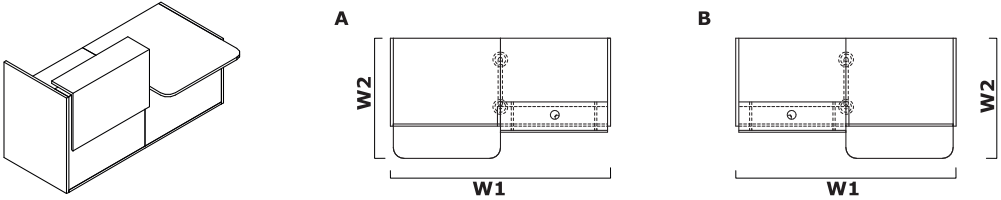
Extra charge					
Monitor shelf x1	Monitor shelf x 2				
X	X				
X	X				
X	X				

Symbol		Dimensions					kg m3 pcs	Composition elements
		W1	W2	D1	D2	H		
<b>TRA33</b>		3056	1120			1159	169 kg 0.793 m3 11 pcs	TR1L+TR10+TR2P+TR11+TR2L +TR10+TR1P+2xTR99+2xNL41
<b>TRA34</b>		3456	1120			1159	177 kg 0.817 m3 11 pcs	TR1L+TR12+TR2P+TR11+TR2L +TR12+TR1P+2xTR99+2xNL41
<b>TRA35</b>		3856	1120			1159	181 kg 0.841 m3 11 pcs	TR1L+TR14+TR2P+TR11+TR2L +TR14+TR1P+2xTR99+2xNL41

Extra charge						
Monitor shelf x1	Monitor shelf x 2					
X	X					
X	X					
X	X					

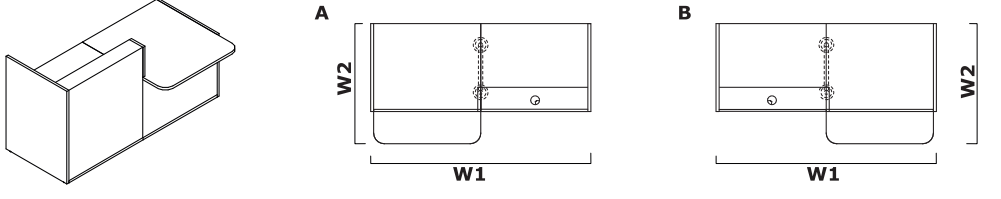
Symbol		Dimensions					kg m3 pcs	Composition elements
		W1	W2	D1	D2	H		
<b>TRA133</b>		3056	1120			1090	135 kg 0.426 m3 9 pcs	TR12+TR10+TR2P+TR11+TR2L +TR10+TR1P+2xNL41
<b>TRA134</b>		3456	1120			1090	143 kg 0.451 m3 9 pcs	TR12+TR12+TR2P+TR11+TR2L +TR12+TR1P+2xNL41
<b>TRA135</b>		3856	1120			1090	147 kg 0.475 m3 9 pcs	TR12+TR14+TR2P+TR11+TR2L +TR14+TR1P+2xNL41

Extra charge						
Monitor shelf x1	Monitor shelf x 2					
X	X					
X	X					
X	X					



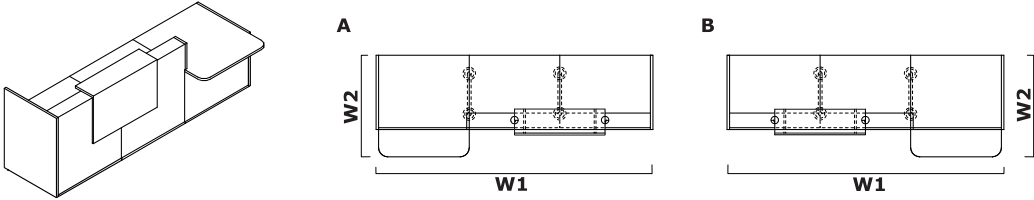
Symbol		Dimensions	kg m3 pcs	Composition elements				
A	B				W1	W2	D1	D2
<b>TRA36L</b>	<b>TRA36P</b>	2056	1120			1159	111.5 kg 0.467 m3 7 pcs	A - TR1L+TR10+TR2P+TR11+TR3P +TR99+NL41 B - TR3L+TR11+TR2L+TR10+TR1P +TR99+NL41
<b>TRA37L</b>	<b>TRA37P</b>	2256	1120			1159	115.5 kg 0.479 m3 7 pcs	A - TR1L+TR12+TR2P+TR11+TR3P +TR99+NL41 B - TR3L+TR11+TR2L+TR12+TR1P +TR99+NL41
<b>TRA38L</b>	<b>TRA38P</b>	2456	1120			1159	158.5 kg 0.587 m3 9 pcs	A - TR1L+TR14+TR2P+TR11+TR3P +TR99+NL41 B - TR3L+TR11+TR2L+TR14+TR1P +TR99+NL41

Extra charge						
Monitor shelf x1						
X						
X						
X						



Symbol		Dimensions	kg m3 pcs	Composition elements				
A	B				W1	W2	D1	D2
<b>TRA136L</b>	<b>TRA136P</b>	2056	1120			1090	94.5 kg 0.283 m3 6 pcs	A - TR1L+TR10+TR2P+TR11+TR3P +NL41 B - TR3L+TR11+TR2L+TR10+TR1P +NL41
<b>TRA137L</b>	<b>TRA137P</b>	2256	1120			1090	98.5 kg 0.295 m3 6 pcs	A - TR1L+TR12+TR2P+TR11+TR3P +NL41 B - TR3L+TR11+TR2L+TR12+TR1P +NL41
<b>TRA138L</b>	<b>TRA138P</b>	2456	1120			1090	100.5 kg 0.308 m3 6 pcs	A - TR1L+TR14+TR2P+TR11+TR3P +NL41 B - TR3L+TR11+TR2L+TR14+TR1P +NL41

Extra charge						
Monitor shelf x1						
X						
X						
X						



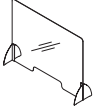
Symbol			Dimensions					kg m3 pcs	Composition elements
A	B		W1	W2	D1	D2	H		
<b>TRA39L</b>	<b>TRA39P</b>		3056	1120			1159	145.5 kg 0.596 m3 9 pcs	A - TR1L+2xTR10+TR2P+TR11+TR3P+TR99+2xNL41 B - TR3L+TR11+TR2L+2xTR10+TR1P+TR99+2xNL41
<b>TRA40L</b>	<b>TRA40P</b>		3456	1120			1159	153.5 kg 0.62 m3 9 pcs	A - TR1L+2xTR12+TR2P+TR11+TR3P+TR99+2xNL41 B - TR3L+TR11+TR2L+2xTR12+TR1P+TR99+2xNL41
<b>TRA41L</b>	<b>TRA41P</b>		3856	1120			1159	157.5 kg 0.645 m3 9 pcs	A - TR1L+2xTR14+TR2P+TR11+TR3P+TR99+2xNL41 B - TR3L+TR11+TR2L+2xTR14+TR1P+TR99+2xNL41

Extra charge						
Monitor shelf x1	Monitor shelf x 2					
X	X					
X	X					
X	X					







Sneeze guard							
	Symbol		Dimensions			kg m3 pcs	Comments
			Width	Depth	Height		
	<b>NPX1</b>		1000	250	750	3 kg 0.01 m3 2 pcs	sneeze guard, clear PET material + metal feet, colour: M009 - aluminium semi-matte

Extra charge							