

Multimedia stand technical specification



.mdd

.mdd has a leading position among manufacturers of office furniture with many awards that prove quality and continuously increase demand for it's products.

The realities of today`s market require constant quality improvement at all levels of modern organization. This applies in particular to customer service, marketing, quality of products and also to quality of processes within the company.

Partnership relations among employees and with business partners form a base of economic growth and success of the company.

Constant investments in innovative machinery park, optimization of management systems and an expansion of production halls allow to minimize the lead times for the product of the highest quality.

More than twenty years of experience in office furniture industry come with reference from a long list of companies and institutions to show their appreciation for an efficient and comprehensive service.

.mdd is higly aware of the environment.

Being located in the forest region with lake by itis side, .mdd takes the nature seriously and invests constantly in a modern and energy-efficient solutions to preserve the local life. Company puts emphasis on waste segregation and recycling. .mdd has been awarded for the exceptional care and involvement in waste disposal. All materials used are environmentally friendly and enjoy a high 95 % rate of being recycled.



General informations:

Warranty:

.mdd products – **5 years.**

Electrical components and fabric – **2 years.**

Boards density:

12 mm – 690 – 750 kg/m³

18 mm – 650 – 690 kg/m³

28 mm – 610 – 630 kg/m³

36 mm – 610 – 630 kg/m³

Certyficate - MFC:



Assembly:

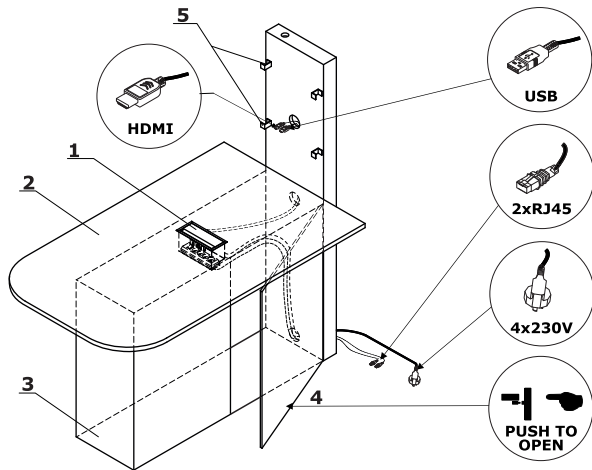
product delivered in separate elements

Packing:

cardboard

Multimedia stand	Date of preparation 01.02.2021	The data contained in this document is valid in the day of its preparation. Change of the product, as long as it does not affect the basic features of it, does not require consistent updates of the document.	page 2/6 general informations
-------------------------	-----------------------------------	---	---

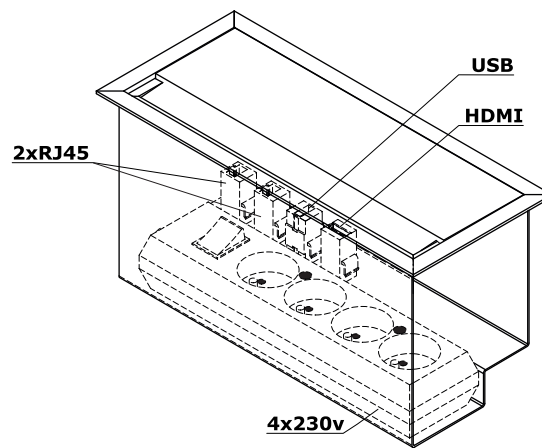
Technical specification



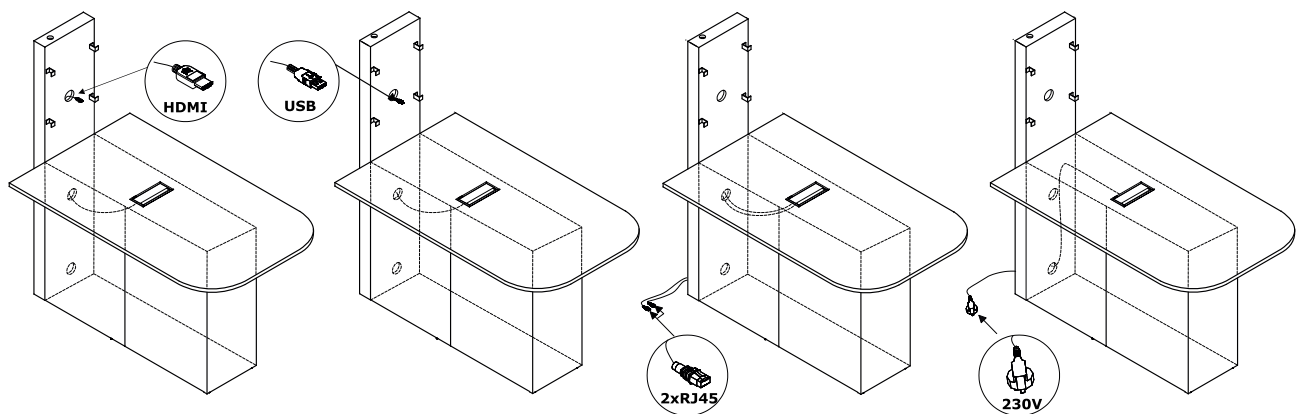
1. Mediabox M04H - 2xRJ45 (class E, cat. 6); +1 x USB + 1 x HDMI + 4x 230V, colour: M009 - aluminum semi-matt
2. Worktop - MFC 28 mm, ABS edge
3. Base - MFC 28 mm, ABS edges
4. Front - Push-to-Open, MFC 18 mm, ABS edge
5. Handles - VESA fixing, spacing 400x400 mm, max weight of TV 20 kg

ATTENTION - SCHUCKO plugs only

Mediabox M04H

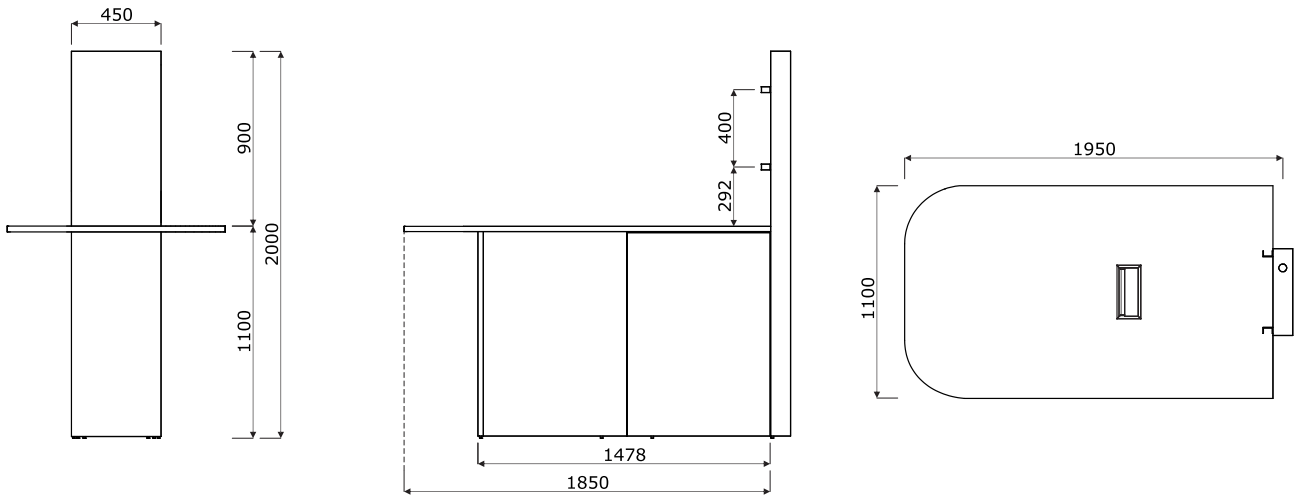


Cable management

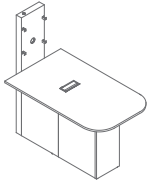


Multimedia stand	Date of preparation 01.02.2021	The data contained in this document is valid in the day of its preparation. Change of the product, as long as it does not affect the basic features of it, does not require consistent updates of the document.	page 3/6 technical description
-------------------------	-----------------------------------	---	--

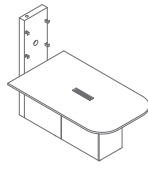
Dimensions



Multimedia stand *



MS01
1100 / 1950 / 2000
115 kg



MS02
1100 / 1950 / 1660
96.6 kg

* dimensions expressed in millimeters: width x depth x height

Multimedia stand	Date of preparation 01.02.2021	The data contained in this document is valid in the day of its preparation. Change of the product, as long as it does not affect the basic features of it, does not require consistent updates of the document.	page 5/6
			products

MS01



67 White pastel



08 Black



26 Aluminum
satinato