



GIMA

PROFESSIONAL MEDICAL PRODUCTS

Gima S.p.A.
Via Marconi, 1 - 20060 Gessate (MI) Italy
gima@gimaitaly.com - export@gimaitaly.com
www.gimaitaly.com

SECURITY SYSTEM GIMA - Distruttore di aghi **SECURITY SYSTEM GIMA - Needle destroyer** **SYSTÈME DE SÉCURITÉ GIMA - Destructeur d'aiguilles** **SISTEMA DE SEGURIDAD GIMA - Destructor de agujas**

Manuale d'uso - User manual
Manuel de l'utilisateur - Guía de uso



ATTENZIONE: Gli operatori devono leggere e capire completamente questo manuale prima di utilizzare il prodotto.

ATTENTION: The operators must carefully read and completely understand the present manual before using the product.

AVIS: Les opérateurs doivent lire et bien comprendre ce manuel avant d'utiliser le produit.

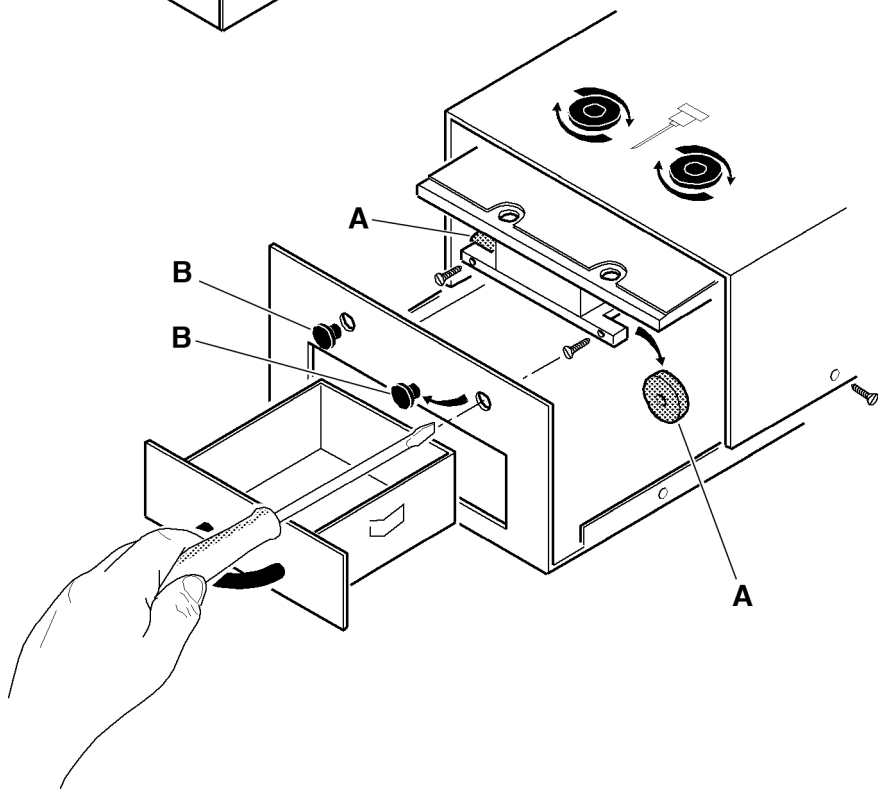
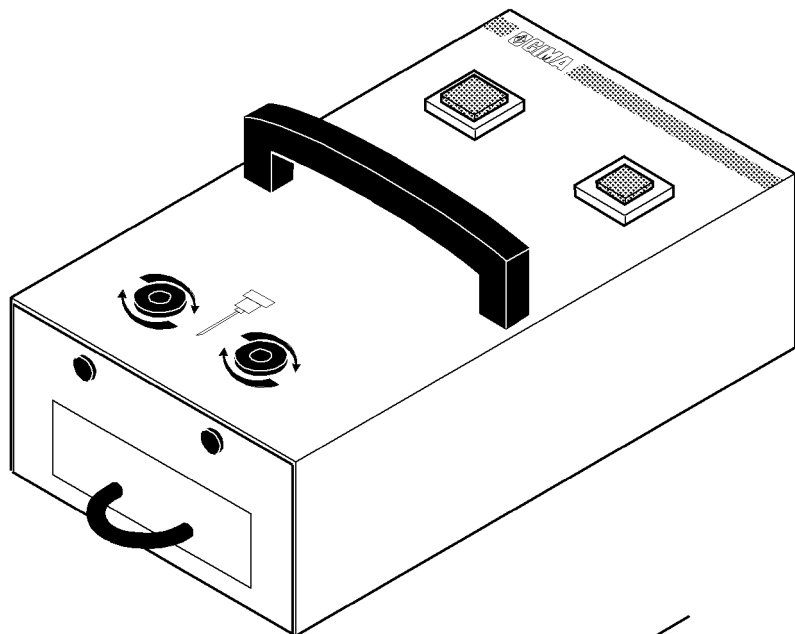
ATENCIÓN: Los operadores tienen que leer y entender completamente este manual antes de utilizar el producto.

REF 25280



Gima S.p.A.
Via Marconi, 1
20060 Gessate (MI) Italy
Made in Italy





FEATURES

Product description

GIMA Security System or needle destroyer (Cod. 25820) is conceived to quickly (2-3 seconds) and easily melt needles with a diameter up to 1,2 mm. It is so powerful that it can reach a temperature of 1000°C and destroy any kind of virus and bacterium. It can also melt needles with larger diameters (up to 1,6 mm), however this operation takes a longer time (the melting system is patented).

GIMA needle destroyer is extremely solid; it weighs more than 4 Kg and has been built with high quality materials, according to IEC 62-5 standard in force for electro-medical equipment, ensuring a very long lifetime. It is equipped with a withdrawable drawer for the collection of wastes and a practical handle for an easy transport.

Technical features

Dimensions	22x14x119 cm
Weight	4 Kg
Power supply	220V ~ 50Hz. 400W
Melting temperature	1000°C
Fuses	2x2,5 AT
Self-resetting thermal fuse	It is located in the transformer and switch the power supply off when a temperature of 100°C is reached inside the transformer.

Field of application, improper use

GIMA needle destroyer is conceived to destroy hypodermic needles and it cannot be used for purposes not in compliance with its features.

PRESCRIPTIONS

Accident prevention



Do not introduce your hand in the compartment inside which the melting waste collection drawer slides, according to warning sign applied to the product.

The product shall be used by qualified personnel only.



Do not use the equipment in case it is damaged. Apply to your retailer. Avoid precarious repairs. Repairs shall be carried out with original spare parts only, which shall be installed according to the intended use.



Do not carry out maintenance or cleaning operations when the equipment is connected to the mains.

Since the product is made of corrosion-proof materials suitable for the environmental conditions foreseen for its normal use, does not require special care, however it is necessary to store it in a closed place making sure that is protected from dust and dirt to assure its hygienic conditions. Moreover, it is recommended to store the product in a place which can be reached easily by the personnel in case of necessity.

UNPACKING

Unpacking



Always remember that packing elements (paper, cellophane, stitches, adhesive tape, etc.) can cut and/or hurt if they are not carefully handled.

They shall be removed with adequate means and shall not be left at the mercy of irresponsible persons; the same is valid for tools used to remove packages (scissors, knives, etc.).

After opening the packages, first of all it is necessary to check all pieces and parts composing the product. Check that they are all present and in perfect conditions.

INSTALLATION

Installation and connections

The installation of GIMA needle destroyer is very simple. Lay the equipment on a stable base and plug in a grounded 220 Volt ~ 50Hz socket.

Before switching on, make sure that the drawer for waste collection is inserted into the corresponding compartment.

OPERATION

Operating instructions

After plugging in, it is possible to switch the equipment on by means of PUSH button of the device. Insert the needle into one of the two melting holes, keep the syringe in vertical position, press pushbutton PUSH and keep it pressed, the START led lights up and shows that the equipment is working and ready to melt the needle.

It is advisable to guide the needle into the melting hole by slightly rotating it. This rotation makes melting easier.

In case during melting the needle comes off the syringe and it is blocked in one of the two holes, make use of tweezers (not included) to recover the needle and repeat the operation.

Stop and switching off

After melting has been concluded, release the PUSH button and the START led is switched off, removing voltage of device.

MAINTENANCE

General maintenance instructions

The product has been conceived to last forever; it is resistant to most part of chemicals except for methyl ethyl ketones (M.E.K.), diluents and nail polish removers.

Routine maintenance

GIMA SECURITY SYSTEM is solid and easy to use, for this reason it does not need particular maintenance operations. It will be sufficient to remove dust and dirt by means of a soft cloth dampened with alcohol.













It is recommended to carry out maintenance operations when the equipment is disconnected from the mains.

Scheduled maintenance

Every 4000 needles it is necessary to replace the melting charcoals A. To replace them, proceed as follows:

- 1) Disconnect the mains plug.
- 2) Unscrew the 4 screws located on the side and lift the cover.
- 3) Remove the two black plugs B on the drawer and introduce a small screwdriver into the holes to unscrew the screws holding the charcoal rollers.
- 4) Replace the charcoals A and screw down again. Replace the cover.

Symbols					
	Product complies with European Directive		Product code		Products should not be disposed of with household waste
	Read instructions carefully		Manufacturer		Keep in a cool, dry place
	Please read instructions carefully		Date of manufacture		Keep away from sunlight
	Lot number				



Disposal: *The product must not be disposed of along with other domestic waste. The users must dispose of this equipment by bringing it to a specific recycling point for electric and electronic equipment. For further information on recycling points contact the local authorities, the local recycling center or the shop where the product was purchased. If the equipment is not disposed of correctly, fines or penalties may be applied in accordance with the national legislation and regulations.*

GIMA WARRANTY CONDITIONS

Congratulations for purchasing a GIMA product. This product meets high qualitative standards both as regards the material and the production.

The warranty is valid for 12 months from the date of supply of GIMA.

During the period of validity of the warranty, GIMA will repair and/or replace free of charge all the defected parts due to production reasons.

Labor costs and personnel traveling expenses and packaging not included.

All components subject to wear are not included in the warranty.

The repair or replacement performed during the warranty period shall not extend the warranty. The warranty is void in the following cases: repairs performed by unauthorized personnel or with non-original spare parts, defects caused by negligence or incorrect use. GIMA cannot be held responsible for malfunctioning on electronic devices or software due to outside agents such as: voltage changes, electromagnetic fields, radio interferences, etc. The warranty is void if the above regulations are not observed and if the serial code (if available) has been removed, cancelled or changed.

The defected products must be returned only to the dealer the product was purchased from. Products sent to GIMA will be rejected.