

# Impuls technical specification



.mdd

**.mdd has a leading position among manufacturers of office furniture with many awards that prove quality and continuously increase demand for its products.**

The realities of today's market require constant quality improvement at all levels of modern organization. This applies in particular to customer service, marketing, quality of products and also to quality of processes within the company.

Partnership relations among employees and with business partners form a base of economic growth and success of the company.

Constant investments in innovative machinery park, optimization of management systems and an expansion of production halls allow to minimize the lead times for the product of the highest quality.

**More than twenty years of experience in office furniture industry come with reference from a long list of companies and institutions to show their appreciation for an efficient and comprehensive service.**

**.mdd is highly aware of the environment.**

Being located in the forest region with lake by its side, .mdd takes the nature seriously and invests constantly in a modern and energy-efficient solutions to preserve the local life. Company puts emphasis on waste segregation and recycling. .mdd has been awarded for the exceptional care and involvement in waste disposal. All materials used are environmentally friendly and enjoy a high 95 % rate of being recycled.



## General informations:

### Warranty:

.mdd products – **5 years.**

Electrical components and fabric – **2 years.**

### Certificate - MFC:



### Compliant with standards:

PN-EN 527-2:2017-02

PN-EN 14073-2:2006

### Boards density:

12 mm – 690 – 750 kg/m<sup>3</sup>

18 mm – 650 – 690 kg/m<sup>3</sup>

28 mm – 610 – 630 kg/m<sup>3</sup>

36 mm – 610 – 630 kg/m<sup>3</sup>

### Assembly:

product delivered in separate elements

### Packing:

#### desk – glass top:

wooden crate;

#### desk – frame:

cardboard;

#### cabinet, modesty screens, modular table,

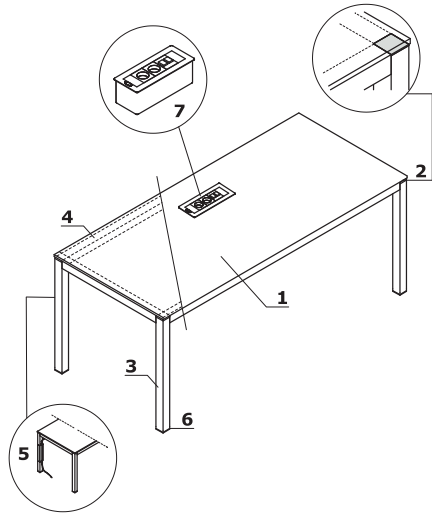
#### pedestal, glass door storages:

cardboard;

#### storages:

cardboard, bubble wrap or stretch foil;

**Desks**



**1. Top - choose from:**

- MFC 12 mm, ABS edge
- tempered glass, satin, matt 10 mm, colour: white (ultra clear), black, painted underneath

**2. Chrome decorative element**

**3. Frame** - aluminum, powder coated steel with chrome details 50x50 mm

**4. Profile** - powder coated steel - clour: 08 black

**5. Vertical cable organizer** - plexiglas, standard (1piece per desk IM10);

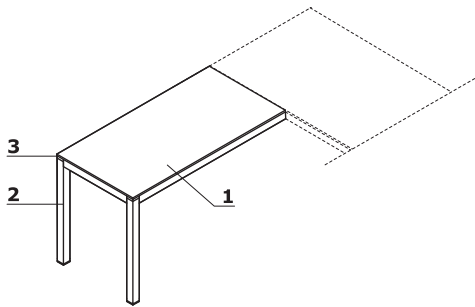
**6. Leveling** - 5 mm range

**7. OPTION WITH EXTRA CHARGE** - only for desks with MFC top:

- Mediaport S91E - 2x 230V, 2x RJ45

ATTENTION - mediaport can be placed only at marked location

**Extension**



**1. Top - choose from:**

- MFC 12 mm, ABS edge
- tempered glass, satin, matt 10 mm, colour: white (ultra clear), black, painted underneath

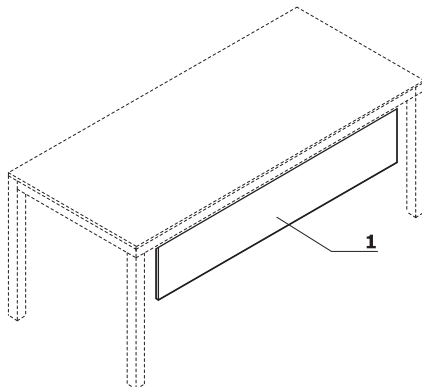
**2. Frame** - aluminum, powder coated steel with chrome details 50x50 mm

**3. Chrome decorative element**

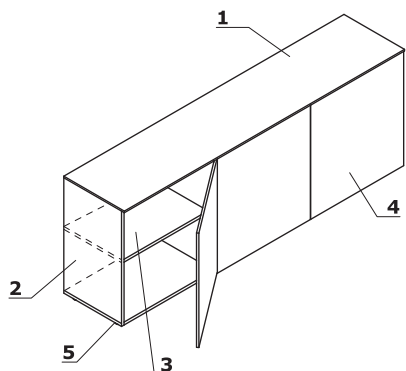
ATTENTION - universal ( left, right);

**MFC modesty screens**

**1. Modesty panel** - MFC 18 mm, ABS edge

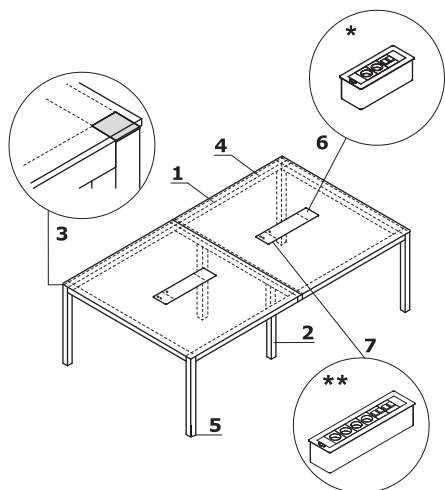


## Cabinet



1. **Top panel - choose from:**
  - MFC 12 mm, ABS edge
  - tempered glass, satin 10 mm, painted underneath
2. **Side panels - MFC 18 mm, ABS edge**
3. **Shelf - MFC 18 mm, protection against accidental falling-out, ABS edge**
4. **Front - push-to-open - choose from:**
  - MFC 18 mm, ABS edge
  - tempered glass, satin 4 mm, painted underneath
5. **Leveling feet - range 5 mm**

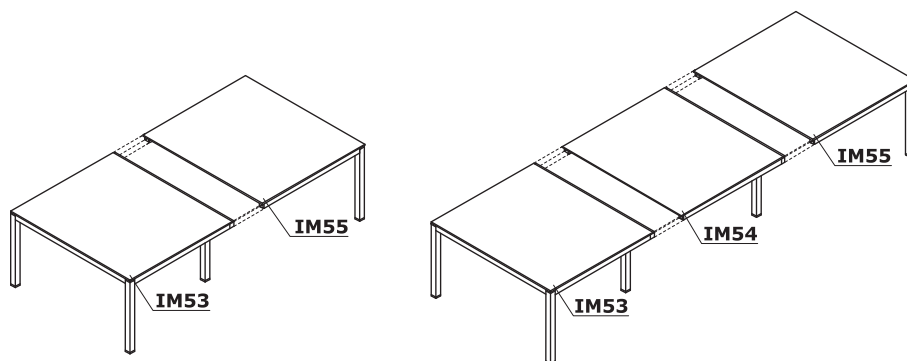
## Modular table



1. **Worktop - MFC 12 mm, ABS edge**
2. **Frame - aluminum, powder coated steel with chrome details 50x50 mm**
3. **Chrome decorative element**
4. **Profile - powder coated steel - clour: 08 black**
5. **Leveling - 5 mm range**
6. **Mediaport S91E - OPTION WITH EXTRA CHARGE - 2x 230V, 2x Rj45**
7. **Mediaport S92E - OPTION WITH EXTRA CHARGE - 4x 230V, 4x RJ45**

ATTENTION - mediaport can be placed only at marked location

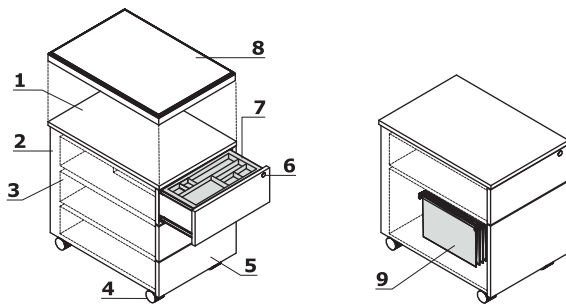
## Configuration examples



Im53 - Beginning element | IM54 - middle element | IM55 - ending element

Impuls	Date of preparation 17.08.2021	The data contained in this document is valid in the day of its preparation. Change of the product, as long as it does not affect the basic features of it, does not require consistent updates of the document.	page 4/17 technical description
--------	-----------------------------------	---	------------------------------------

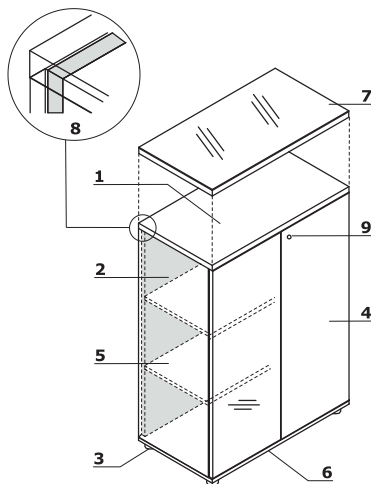
## Mobile pedestal without handles



1. **Top** - MFC 18 mm, coated with HPL high gloss
2. **Body** - MFC 18 mm, ABS edge
3. **Metal drawer** - roll runners, max load 25 kg, 80% extraction, anti-tilt mechanism; OPTION WITH EXTRA CHARGE - ball runners, soft-closing system
4. **Castors** - Ø50 mm, two with brakes
5. **Front** - MFC 18 mm, coated with HPL high gloss, ABS edge
6. **Central lock** - foldable key
7. **Pencil tray** - plastic, colour: black
8. **Optional cushion SKP13** - for pedestal, max load 120 kg, ordered separately
9. **Suspension files drawer** - ball runners, max load 30 kg, 100% extraction, A4 folders must be inserted parallelly to the front

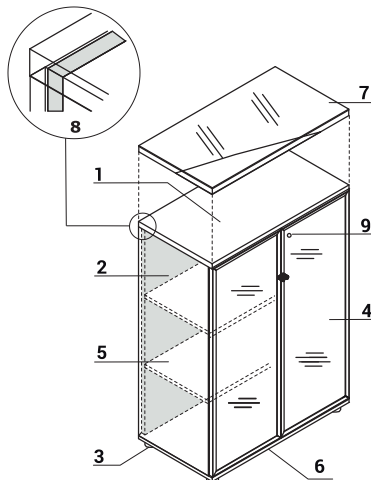
ATTENTION - sitting on the pedestal possible only after mounting the cushion (SKP13); the pedestal with cushion is intended for sitting only  
 - moving the pedestal while sitting may result in damaging the castors

## Storages with HPL front



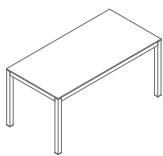
1. **Top** - MFC 28 mm, ABS edge
2. **Side panels** - MFC 18 mm, ABS edge
3. **Leveling feet 27 mm** - range 12 mm
4. **Front** - Push-to-Open, coated with HPL high gloss
5. **Shelf** - MFC 18 mm, protection against accidental falling-out, ABS edge
6. **Base** - MFC 18 mm, ABS edge
7. **Optional top A800GT** - MFC 28 mm + LACOBEL glass 4 mm, ordered separately
8. **Back MFC** - 18 mm, ABS edges
9. **Patent lock**

## Glass door storages

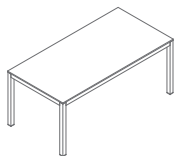


1. **Top** - MFC 28 mm, ABS edge
2. **Side panels** - MFC 18 mm, ABS edge
3. **Leveling feet 27 mm** - range 12 mm
4. **Front** - transparent tempered glass in aluminum frame
5. **Shelf** - MFC 18 mm, protection against accidental falling-out, ABS edge
6. **Base** - MFC 18 mm, ABS edge
7. **Optional top A800GT** - MFC 28 mm + LACOBEL glass 4 mm, ordered separately
8. **Back MFC** - 18 mm, ABS edges
9. **Aluminum handle**

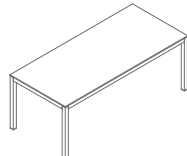
MFC top desks \*



**IM04**  
1600 / 800 / 760  
25 kg

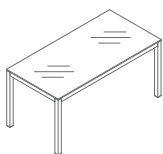


**IM05**  
1800 / 900 / 760  
30 kg

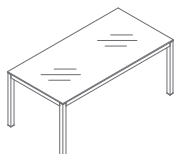


**IM06**  
2000 / 900 / 760  
305.6 kg

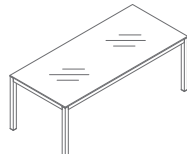
Glass top desks \*



**IM04S**  
1600 / 800 / 760  
75.4 kg

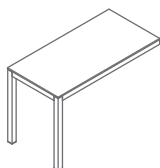


**IM05S**  
1800 / 900 / 760  
96.8 kg

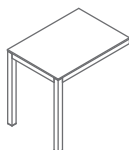


**IM06S**  
2000 / 900 / 760  
110.9 kg

MFC desk extensions \*

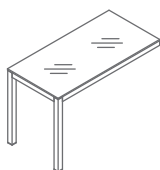


**IM07**  
1200 / 600 / 760  
17 kg



**IM08**  
800 / 600 / 760  
10.5 kg

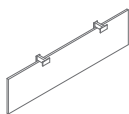
Glass top desk extension \*



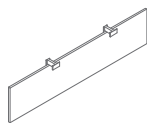
**IM07S**  
1200 / 600 / 760  
46.6 kg

\* dimensions expressed in millimeters: width x depth x height

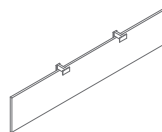
MFC modesty screens \*



**IM04B**  
1400 / 18 / 350  
9.1 kg

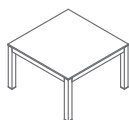


**IM05B**  
1600 / 18 / 350  
9.3 kg



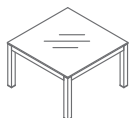
**IM06B**  
1800 / 18 / 350  
10.85 kg

MFC top tables \*



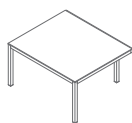
**IM57**  
800 / 800 / 500  
14.7 kg

Glass top tables \*

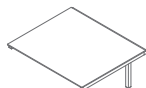


**IM57S**  
800 / 800 / 500  
39 kg

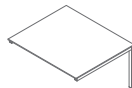
Modular table \*



**IM53**  
1200 / 1400 / 760  
31.5 kg



**IM54**  
1200 / 1400 / 760  
26.85 kg

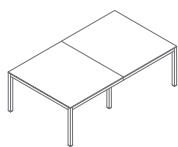


**IM55**  
1200 / 1400 / 760  
26 kg

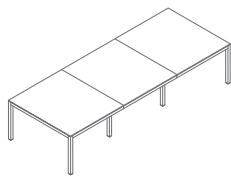
\* dimensions expressed in millimeters: width x depth x height

<b>Impuls</b>	Date of preparation 17.08.2021	The data contained in this document is valid in the day of its preparation. Change of the product, as long as it does not affect the basic features of it, does not require consistent updates of the document.	page 7/17
			<b>products</b>

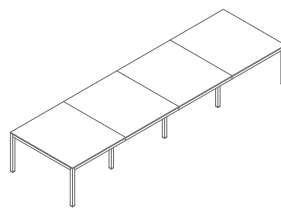
**Conference table \***



**IM58**  
2400 / 1400 / 760  
57.5 kg

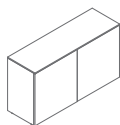


**IM59**  
3600 / 1400 / 760  
84.35 kg

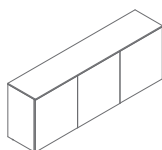


**IM60**  
4800 / 1400 / 760  
111.2 kg

**Cabinet \***

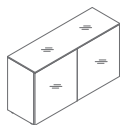


**IM21**  
1334 / 432 / 740  
62.5 kg

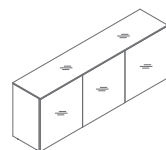


**IM20**  
2000 / 432 / 740  
96.2 kg

**Cabinet with glass \***

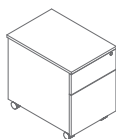


**IM21S**  
1334 / 432 / 740  
81.4 kg



**IM20S**  
2000 / 432 / 740  
123.95 kg

**Mobile pedestals without handles with HPL top and front \***



**SLD12HT**  
416 / 600 / 587  
23 kg



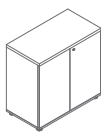
**SLD13HT**  
416 / 600 / 587  
23 kg

\* dimensions expressed in millimeters: width x depth x height

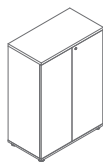
<b>Impuls</b>	Date of preparation 17.08.2021	The data contained in this document is valid in the day of its preparation. Change of the product, as long as it does not affect the basic features of it, does not require consistent updates of the document.	page 8/17
			<b>products</b>



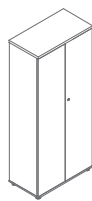
Storages with HPL front \*



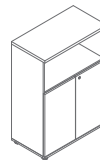
**A2104HZ**  
801 / 432 / 777  
43.45 kg



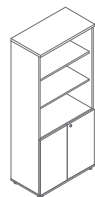
**A3104HZ**  
801 / 432 / 1129  
60.2 kg



**A5104HZ**  
801 / 432 / 1833  
106.55 kg



**A3404HZ**  
801 / 432 / 1129  
54.7 kg

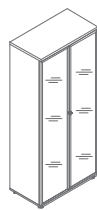


**A5404HZ**  
801 / 432 / 1833  
92.9 kg

Glass door storages \*



**A3104W**  
801 / 432 / 1129  
53.25 kg



**A5104W**  
801 / 432 / 1833  
82.9 kg



**A5404WZ**  
801 / 432 / 1833  
86.7 kg

Vertical hitch, clear plexiglass \*



**IM10**  
77 / 58 / 350  
0.55 kg

\* dimensions expressed in millimeters: width x depth x height

**Pedestal cushion \***

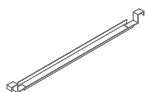


**SKP13**  
400 / 600 / 52  
2.6 kg

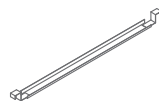
**Cable tray \***



**EK1200**  
1496 / 85 / 94  
3.4 kg



**EK1400**  
1696 / 85 / 94  
3.9 kg



**EK1600**  
1896 / 85 / 94  
4.2 kg

\* dimensions expressed in millimeters: width x depth x height

<b>Impuls</b>	Date of preparation 17.08.2021	The data contained in this document is valid in the day of its preparation. Change of the product, as long as it does not affect the basic features of it, does not require consistent updates of the document.	page 10/17
			<b>products</b>

Desks and conference table

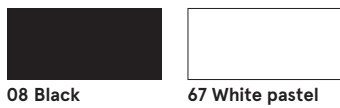
Top



Frame



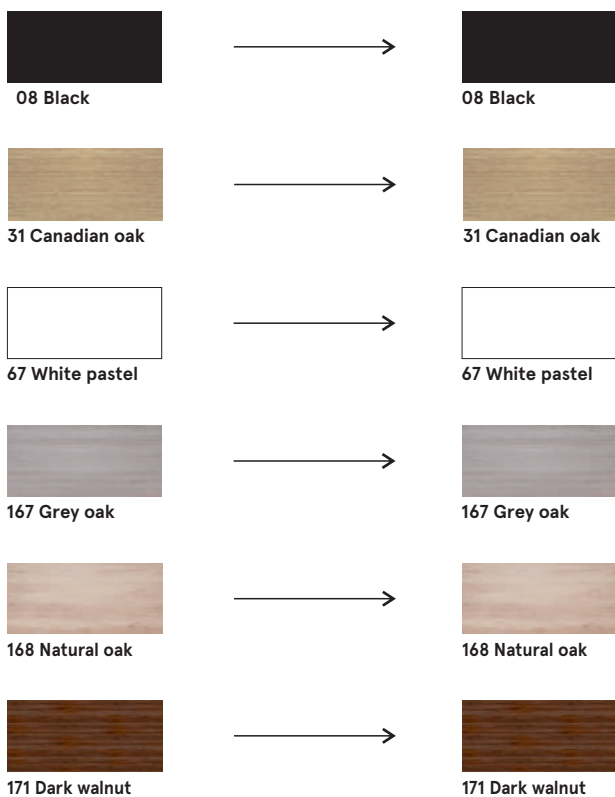
Modesty panel



Cabinet

Top, front

Body



**Cabinet**

**Top, front**



116 Glass black  
RAL9005



**Body**



08 Black



117 Glass white  
RAL9003



67 White pastel

**Storages**

**Top, base, body**



08 Black



67 White pastel

**Front**



148 High gloss  
grey



101 High gloss  
black



155 High gloss  
anthracite



73 High gloss  
white



174 Beige matte



175 Truffle matte



176 Red matte



177 Grey matte  
RAL7042



178 Avocado  
matte



179 Bottle green  
matte



180 Dark blue  
matte



184 Sky-blue  
matte

**Mobile pedestal without handles**

**Top, front**



101 Black high  
gloss



73 White high  
gloss

**Body**



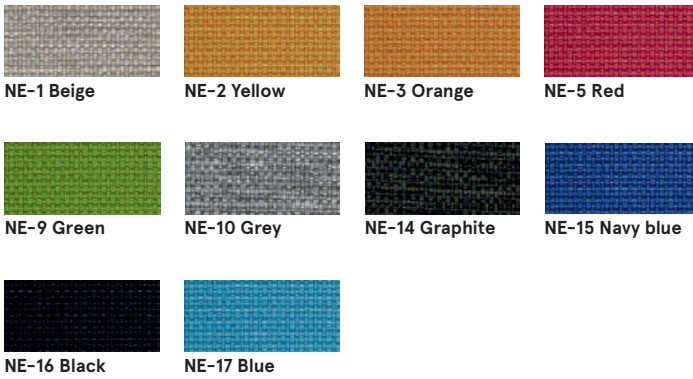
08 Black



67 White pastel

SKP13

Fabric Nemo



**Technical data:**

**Material** polyester 100%

**Fabric weight** 366g/m2

**Abrasion resistance rubs** PN\_EN ISO 12947 - 2:2 100,000

**Pilling resistance** scale 1-8, max. 8, PN-EN ISO 105 - B02 (3-4)

**Colour fastness to light** scale 1-5, max. 5, PN-EN 1021 - 2,

**Colour fastness to rubbing** PN-EN 1021 - 1

skcale 1-5, max. 5, EN ISO 105x12 (wet/dry) 4-5

Fabric Runner - second price group



**Technical data:**

**Material** 80% polyester, 20% post-consumer recycled polyester

**Fabric weight** 510 g/lm (16.45 oz./lin.yd.)

**Abrasion resistance rubs** BS EN ISO 12947-2 70,000 Martindale cycles

**Pilling resistance** scale 1-5, max 5, EN ISO 12945-2 (4-5)

**Colour fastness to light** scale 1-8, max 8, EN ISO 105-B02 (5-7)

**Colour fastness to rubbing** scale 1-5, max 5, EN ISO 105x12 (wet/dry) 4-5

**Acoustic test sound absorption** ISO 354

**Flammability** BS EN 1021-2 Match, CA TB 117-2013, BS EN 1021-1 (cigarette) Class Uno UNI 9175 Class 2, EMME

Fabric Medley - second price group



**Technical data:**

**Material** polyester 100%

**Fabric weight** 510 g/lm (16.45 oz./lin.yd.)

**Abrasion resistance rubs** BS EN ISO 12947-2, 75,000 cykli Martindale

**Pilling resistance** scale 1-5, max. 5, EN ISO 12945-2 (4)

**Colour fastness to light** scale 1-8, max. 8, EN ISO 105-B02 (5-7)

**Colour fastness to rubbing** scale 1-5, max. 5, EN ISO 105x12 (wet/dry) (4-5/4-5)

**Acoustic test sound absorption** ISO 354

**Flammability** BS EN 1021-1 (cigarette) BS 476 Part 7, Class 2 Class Uno UNI 9174 - UNI 8457 CA TB 117-2013 ASTM E 84 Class I

### Fabric Atlantic \* - second price group



**Technical data:**

**Material** polyester 100%

**Fabric weight** 530 g/lm (17.09 oz/lin.yd.)

**Abrasion resistance rubs** BS EN ISO 12947-2, 110,000 Martindale cycles

**Pilling resistance** scale 1-5, max. 5, EN ISO 12945-2 (4-5)

**Colour fastness to light** scale 1-8, max. 8, EN ISO 105-B02 (5-7)

**Colour fastness to rubbing** scale 1-5, max. 5, EN ISO 105x12 (wet/dry)

**Flammability** CA TB 117-2013  
ASTM E 84 Class I  
BS EN 1021-2 (match)  
BS EN 1021-1 (cigarette)

### Fabric Vita - second price group



**Technical data:**

**Material** Surface: 98,5% PVC, 1,5% PU  
Substrate: 50% polyester, 50% Cotton

**Fabric weight** 850g/m2 ± 10% (1190G/lin. m ± 10%)

**Abrasion resistance rubs** BS EN ISO 5470-2, 100,000 Martindale cycles

**Colour fastness to light** 6 (ISO 105 - B02)

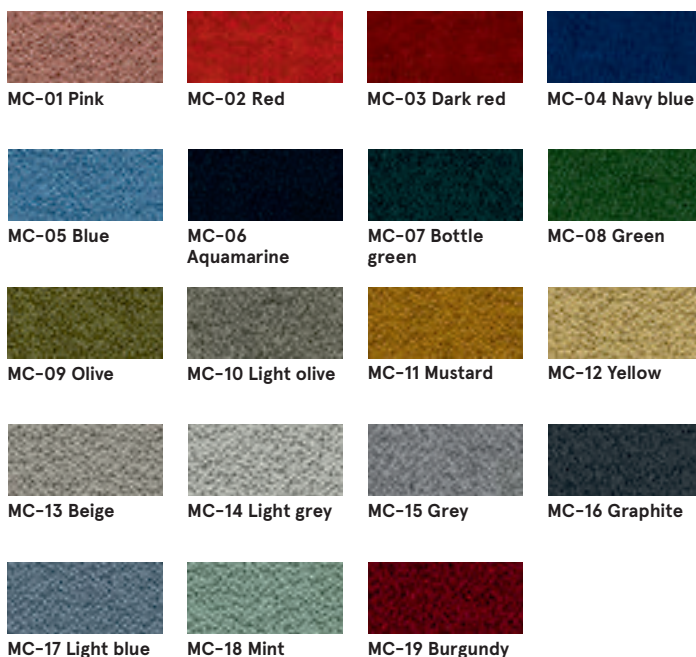
**Colour fastness to rubbing** wet: 4, dry: 4 (ISO 105 - X12)

**Flammability** BS EN 1021 - (cigarette)  
BS EN 1021 - 2 (match)  
BS 5852 - (Ignition Source 5)  
BS 7176 - (Medium Hazard)

**Flexes** BS EN ISO 7854 - Method B, 400.000 Flexing cycles

**Anti-microbial / Anti-fungal** AATCC 147

### Fabric Mica - second price group



**Technical data:**

**Material** post-consumer recycled polyester 97%, polyester 3%

**Fabric weight** 305 g/lm

**Abrasion resistance rubs** 60,000 rubs martindale (EN ISO 12947-2)

**Pilling resistance** scale 1-5, max. 5 - EN ISO 12945-2, 4-5

**Light fastness** scale 1-8, max. 8 - EN ISO 105-B02, 5-8

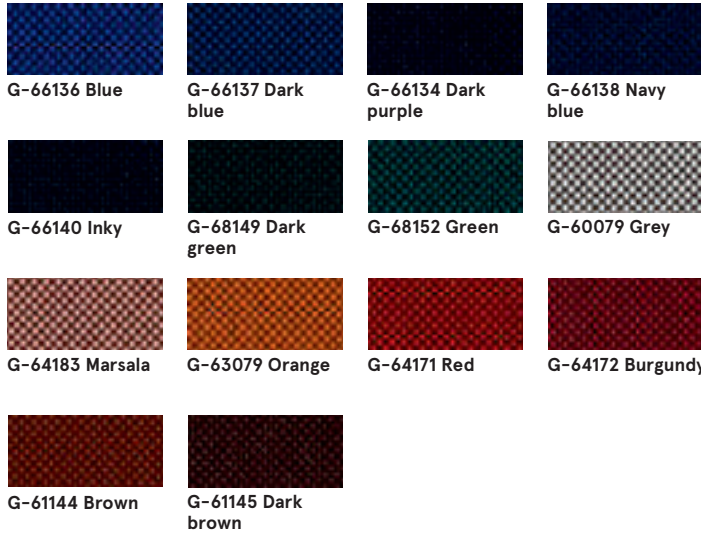
**Rubbing fastness** dry: 4-5, wet: 4-5, scale 1-5, max. 5 - EN ISO 105x12

**Flammability** CA TB 117-2013  
ASTM E 84 Class I  
BS EN 1021-1 Cigarette  
BS EN 1021-2 Match  
BS 476 Part 7 class I

\* There is a possibility of ordering the product in full colour spectrum of Atlantic range, as per Gabriel's pattern book, within 8 weeks

Impuls	Date of preparation 17.08.2021	The data contained in this document is valid in the day of its preparation. Change of the product, as long as it does not affect the basic features of it, does not require consistent updates of the document.	page 14/17
			colours

**Fabric Go Check - second price group**



**Technical data:**

**Material** 100% Trevira CS  
**Fabric weight** 435g/lm  
**Abrasion resistance rubs** 80,000 rubs martindale (EN ISO 12947-2)  
**Pilling resistance** scale 1-5, max. 5 - EN ISO 12945-2, 5  
**Light fastness** scale 1-8, max. 8 - EN ISO 105-B02, 5-8  
**Rubbing fastness** dry: 4-5, wet: 4-5, scale 1-5, max. 5 - EN ISO 105x12  
**Flammability** BS EN 1021 1&2 Cigarette and Match  
 BS EN 1021-1 Cigarette  
 BS 5852 Crib 5  
 BS 7176 Medium hazard  
 DIN 4102 - B1  
 NFP 92-503/504/505 M1  
 ÖNORM A3800-B1-B3825-Q1 UK  
 Class Uno UNI 9175 Class 1 I EMME  
 FAR/JAR 25.853 (a) (i) (ii)  
 CA TB 117-2013  
 DIN EN 13501-1 B-s1,d0  
 AM 18 - NF D 60-013-(only for fabric)

**Fabric Charles - second price group**



**Technical data:**

**Material** 100% polyester  
**Fabric weight** 433g/m2  
**Abrasion resistance rubs** 90,000 Martindale cycles (EN ISO 12947-2)  
**Pilling resistance** EN ISO 12945-2, 5  
**Light fastness** EN ISO 105-B02, 5  
**Rubbing fastness** dry: 4-5, wet: 4-5, EN ISO 105x12  
**Flammability** EN 1021, 1

### Fabric Xtreme - third price group



**Technical data:**

**Material** 100% Trevira Clame (CS)  
100% Recycling (YS)  
Flame Retardant polyester.  
Non metallic dyestuffs.

**Fabric weight** 310 g/m<sup>2</sup> ±5% (435g/lin.m ±5%)

**Abrasion resistance rubs** 60,000 Martindale cycles (CS)  
100,000 Martindale cycles (YS)

**Colour fastness to light** 6 (ISO 105 - B02)

**Colour fastness to rubbing** wet: 4, dry: 4 (ISO 105 - X12)

**Flammability** EN 1021 - 1 (cigarette),  
EN 1021 - 2 (match)  
BS 7176 Low Hazard,  
NF P92-507 M1, DIN 4102 B1,  
UNI 9175 Class 1 IM, UNI 8456,  
UNI 9174 & UNI 9177 Classe Uno,  
ÖNORM B 3825 & A 3800-1  
NF D 60-013

### Fabric Synergy - third price group



**Technical data:**

**Material** 95% Virgin Wool, 5% Poliamid

**Fabric weight** 400g/m<sup>2</sup> ±5% (560 g/lin.m ±5%)

**Abrasion resistance rubs** Independently certified  
≥100,000 Martindale cycles

**Colour fastness to light** 5 (ISO 105 - B02)

**Colour fastness to rubbing** ISO 105 - X12 - wet: 4, dry: 4

**Flammability** EN 1021 - 1 (cigarette),  
EN 1021 - 2 (match),  
BS 7176 Low Hazard,  
UNI 9175 Classe 1 IM,  
ÖNORM B 3825 & A 3800-1



## Fabric Silvertex – third price group

There is a possibility of ordering the product in full colour spectrum of Silvertex range, as per Spradling’s pattern book, within 15 working days.

### Technical data:

<b>Material</b>	Topcoat: 100% Vinyl Backing: 100% Polyester Hi-Loft™
<b>Fabric weight</b>	685 gr/m2
<b>Abrasion resistance</b>	>300,000 cycles Martindale
<b>UV-resistance</b>	>= 7 (1000 hours, blue wool scale)
<b>Cold Crack resistance</b>	-23°C
<b>Flame retardancy</b>	NF P 92-503 / M2 EN 1021, Part 1&2 DIN 4102 B2 ÖNORM B 3825, Gruppe I – Schwerbrennbares Verhalten ÖNORM A 3800, Teil I, Qualmbildungsklasse QI – schwachqualmend IMO Res. MSC.307 (88) (2010 FTP Code) Annex I Part 8 (MED) Marine Equipment Directive in its current valid version UNI 9175 (1987) / UNI 9175/FAI (1994) Classe I.IM (uno I EMME) UNE 23.727-90 IR /M2 EN 71-2: 2006+AI: 2007 Safety of Toys – Part 2: Flammability ECE R 118 (replaces Directive 95/28/EC) FMVSS 302 FAR 25/853
<b>Antimicrobial</b>	Antifungal Protection, Antibacterial Protection, Antimycotic Protection

## Fabric Atlas – fourth price group



### Technical data:

<b>Material</b>	90% new wool, 10% nylon
<b>Fabric weight</b>	286g/m2, 400g/lm
<b>Abrasion resistance rubs</b>	100,000 cykli Martindale, EN ISO 12947
<b>Colour fastness to light</b>	ISO 105 B02: 6-7
<b>Colour fastness to rubbing</b>	ISO 105-X12:2001, (wet/dry) 4-5/4-5
<b>Flammability</b>	BS EN 1021-2 Match, BS EN 1021-1 Cigarette, BS 5 5852 Crib 5, BS 5852 ignition source 3, BS 5852 Part 1, NF D 60 013, UNI 9175 1IM, US Cal. Bull. 117-2013

## Fabric Field2 – fourth price group



### Technical data:

<b>Material</b>	100% Trevira CS
<b>Fabric weight</b>	321g/m2, 450g/lm
<b>Abrasion resistance rubs</b>	100,000 cykli Martindale, EN ISO 12947
<b>Colour fastness to light</b>	ISO 105 B02: 5-7
<b>Flammability</b>	BS EN 1021-2 Match, BS EN 1021-1 Cigarette, BS 5 5852 Crib 5, DIN 4102 B1 FAR 25.853, UNI 9177 classe 1, US Cal. Bull. 117-2013