

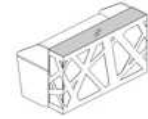
TECHNICAL SPECIFICATION

COLOURS

COUNTER TOP - GLASS



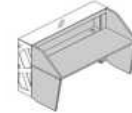
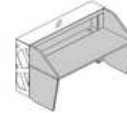
WHITE, TEMPERED
GLASS



BODY



67 WHITE PASTEL



FRONT - METAL



M015 WHITE
SEMI-MATTE



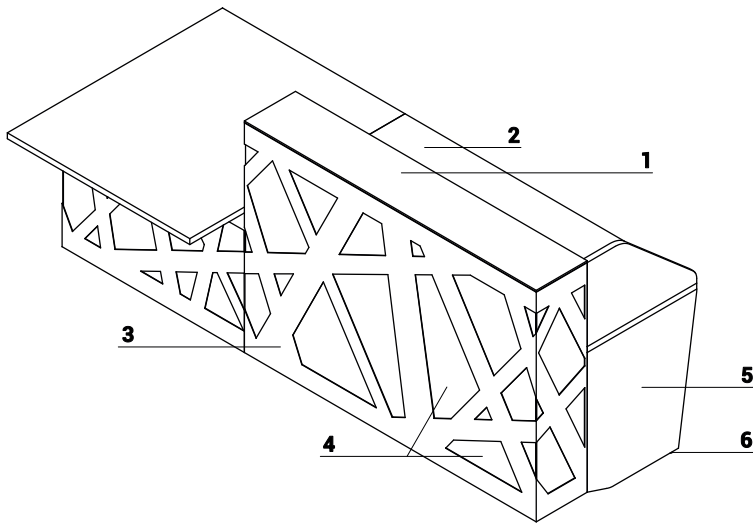
FRONT - PLEXIGLASS



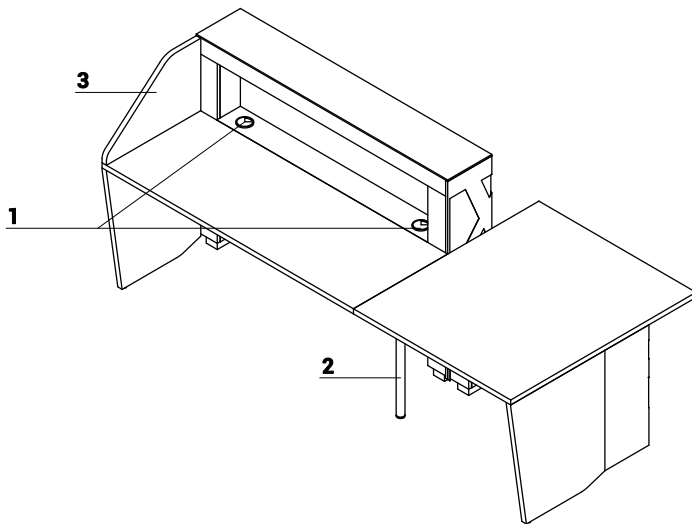
PLEXIGLASS
WHITE



TECHNICAL SPECIFICATION

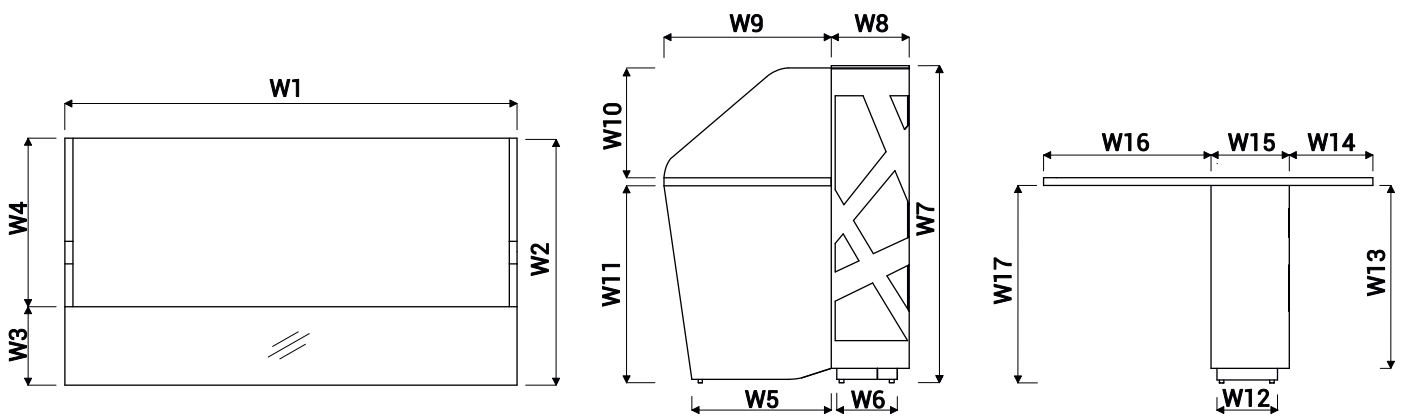


- 1. **Top** - tempered optiwhite glass, 8mm - painted on bottom side
- 2. **Worktop** - MFC 28mm, PVC edge
- 3. **Front** - powder coated steel and plexiglas
- 4. **Light source** - RGBW LED, remote control
- 5. **Low side panel** - MFC 28mm, PVC edge
- 6. **Leveling** - 5mm range



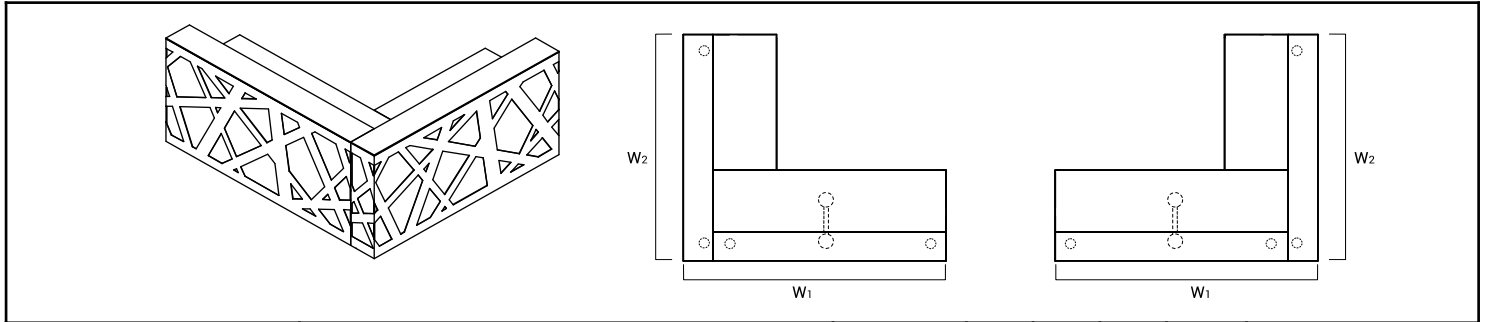
- 1. **Cable grommets** - Ø80mm
- 2. **Supporting leg NE41** - required for connecting the tops
- 3. **Side panel** - MFC 28mm, PVC edge

DIMENSIONS

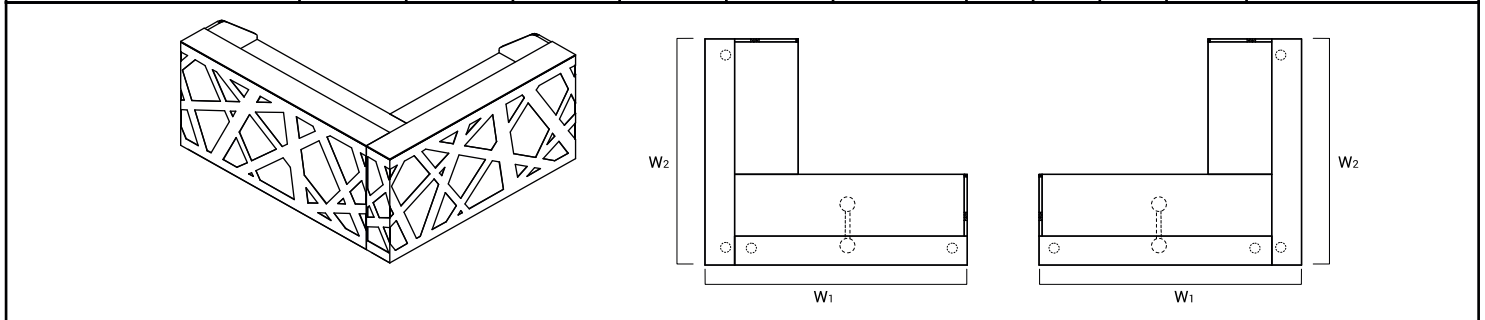


W1 - 1600mm | W2 - 880mm | W3 - 280mm | W4 - 600mm | W5 - 500mm | W6 - 217mm | W7 - 1146mm | W8 - 280mm | W9 - 600mm | W10 - 397mm | W11 - 712mm | W12 - 217mm | W13 - 660mm | W14 - 300mm | W15 - 280mm | W16 - 600mm | W17 - 712mm

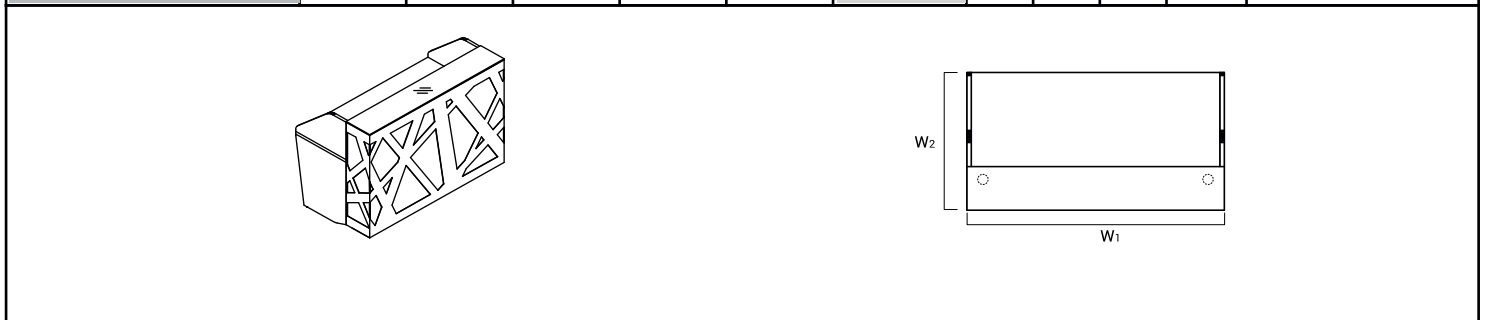
RECEPTION DESKS SYSTEMS



INDEX SYMBOL	DIMENSIONS [mm]						kg	m3	pcs	COMPONENTS
	W ₁	W ₂	D ₁	D ₂	H					
LZG44	2480	2200			1146		276.2	3.224	14	LZN51+LZB22+2xLZG22+LZB22M+NL41



INDEX SYMBOL	DIMENSIONS [mm]						kg	m3	pcs	COMPONENTS
	W ₁	W ₂	D ₁	D ₂	H					
LZG45	2480	2200			1146		283.2	3.243	15	LZN51+LZK01+2xLZG22+LZB22+LZB22M+NL41



INDEX SYMBOL	DIMENSIONS [mm]						kg	m3	pcs	COMPONENTS
	W ₁	W ₂	D ₁	D ₂	H					
LZG34	1600	880			1146		126.9	1.245	7	LZN51+LZK01+LZG16+LZB16
LZG46	2200	880			1146		156.9	1.690	8	LZN51+LZK01+LZG22+LZB22

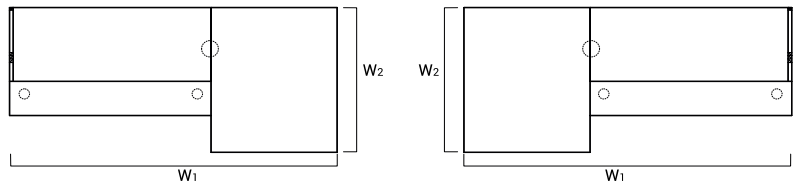
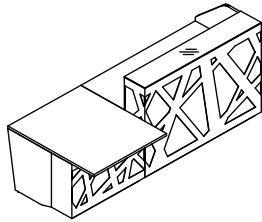
DESCRIPTION

- NET WEIGHT

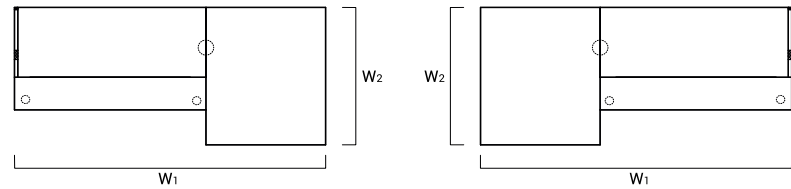
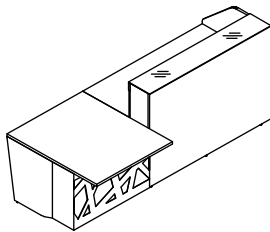
VOLUME

NUMBER OF PACKAGES

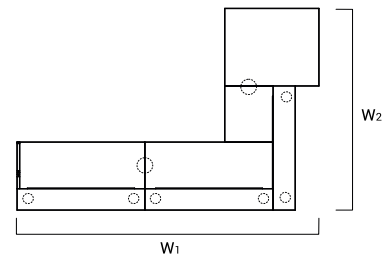
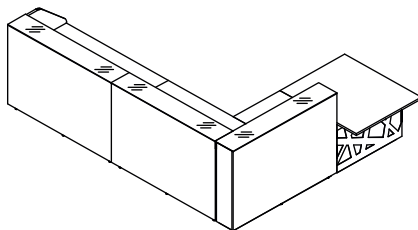
RECEPTION DESKS SYSTEMS



INDEX SYMBOL	DIMENSIONS [mm]						kg	m3	pcs	COMPONENTS
	W ₁	W ₂	D ₁	D ₂	H					
LZG50	2600	1180			1146		208.4	1.798	11	LZN51+LZG10+LZG16+LZB16+LZK01+NE41L
LZG51	3200	1180			1146		238.4	2.242	12	LZN51+LZG10+LZG22+LZB22+LZK01+NE41L



INDEX SYMBOL	DIMENSIONS [mm]						kg	m3	pcs	COMPONENTS
	W ₁	W ₂	D ₁	D ₂	H					
LZG56	2600	1180			1146		210.4	1.798	11	LZG10+LZG16M+LZB16+LZN51+LZK01+NE41L



INDEX SYMBOL	DIMENSIONS [mm]						kg	m3	pcs	COMPONENTS
	W ₁	W ₂	D ₁	D ₂	H					
LZG57	3200	2880			1146		419.2	4.153	23	LZN51+LZG10+LZB16M+2xLZB16+3xLZG16M+LZK01+2xNE41L

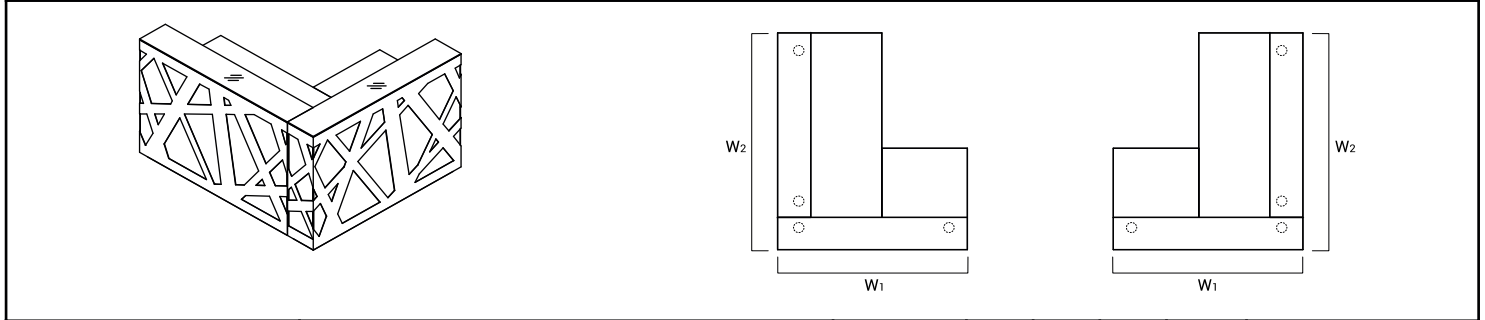
DESCRIPTION

- NET WEIGHT

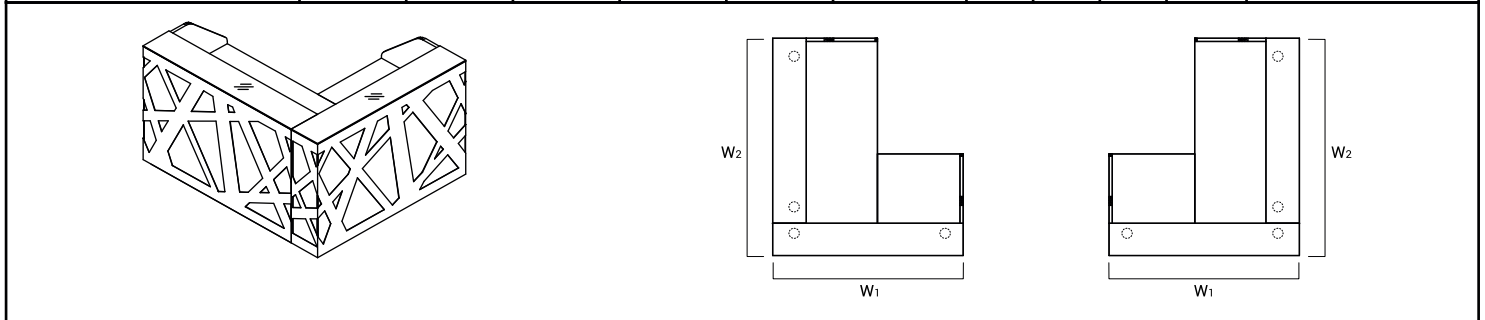
VOLUME

NUMBER OF PACKAGES

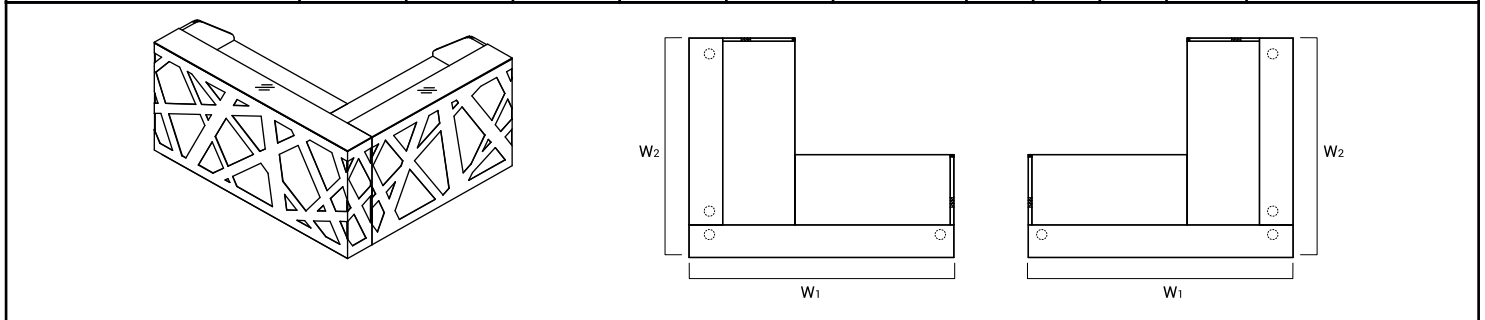
RECEPTION DESKS SYSTEMS



INDEX SYMBOL	DIMENSIONS [mm]						kg	m3	pcs		COMPONENTS
	W ₁	W ₂	D ₁	D ₂	H						
LZG32	1600	1880			1146		217.5	2.386	12		LZB16M+2xLZG16+LZB16+LZN51



INDEX SYMBOL	DIMENSIONS [mm]						kg	m3	pcs		COMPONENTS
	W ₁	W ₂	D ₁	D ₂	H						
LZG35	1600	1880			1146		224.5	2.405	13		LZB16M+2xLZG16+LZB16+LZN51+LZK01



INDEX SYMBOL	DIMENSIONS [mm]						kg	m3	pcs		COMPONENTS
	W ₁	W ₂	D ₁	D ₂	H						
LZG36	2200	1880			1146		252.5	2.799	13		LZN51+LZK01+LZB22+LZG22+LZB16M+LZG16

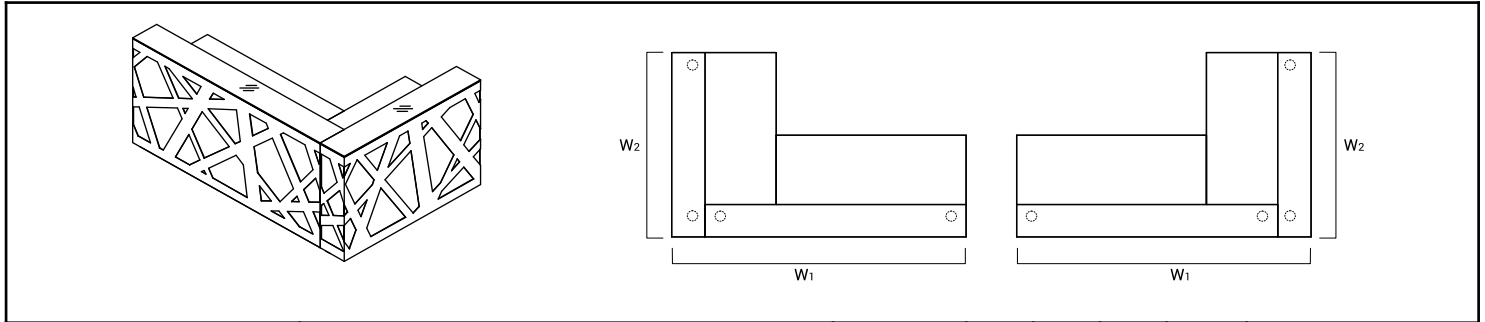
DESCRIPTION

- NET WEIGHT

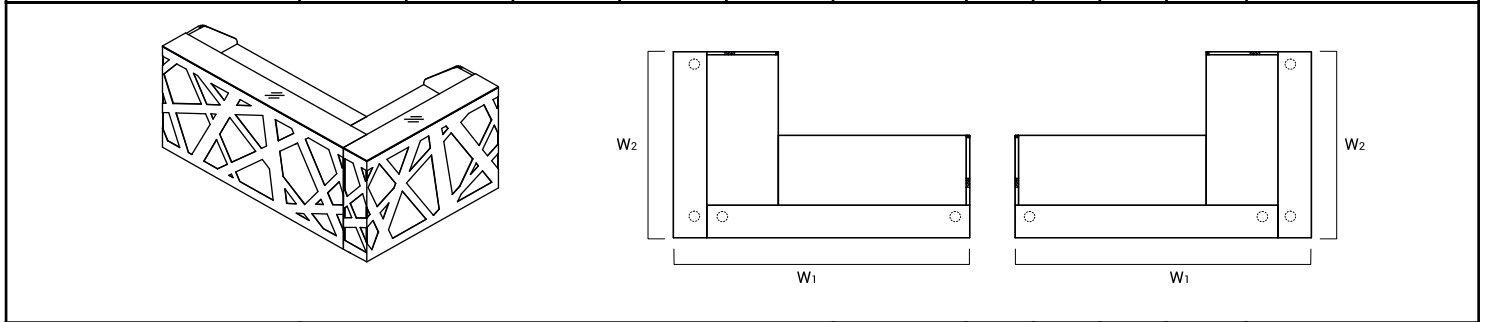
VOLUME

NUMBER OF PACKAGES

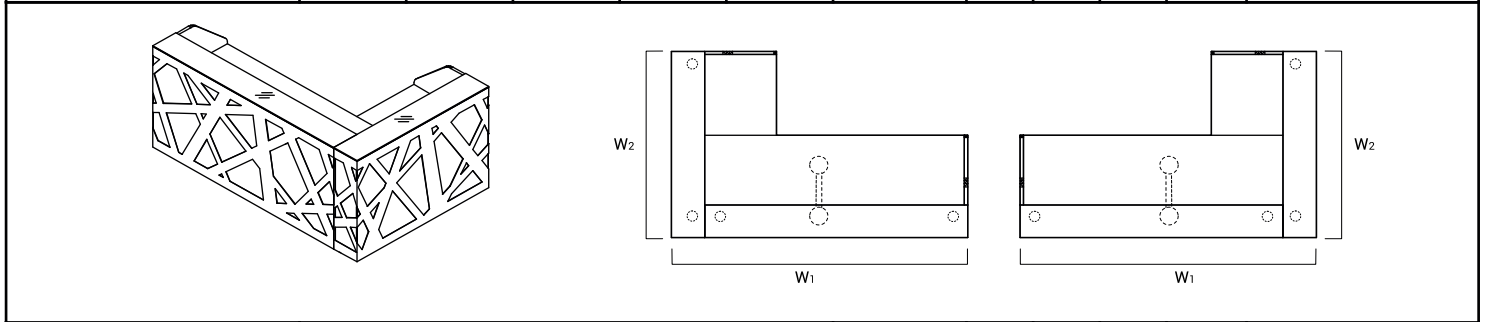
RECEPTION DESKS SYSTEMS



INDEX SYMBOL	DIMENSIONS [mm]						kg	m3	pcs	COMPONENTS
	W ₁	W ₂	D ₁	D ₂	H					
LZG38	2480	1600			1146		245.5	2.779	12	LZN51+LZB16+LZG22+LZB22M+LZG16



INDEX SYMBOL	DIMENSIONS [mm]						kg	m3	pcs	COMPONENTS
	W ₁	W ₂	D ₁	D ₂	H					
LZG40	2480	1600			1146		252.5	2.799	13	LZN51+LZK01+LZB16+LZG22+LZB22M+LZG16



INDEX SYMBOL	DIMENSIONS [mm]						kg	m3	pcs	COMPONENTS
	W ₁	W ₂	D ₁	D ₂	H					
LZG42	2480	1600			1146		252.4	2.849	11	LZN51+LZK01+LZB22+LZG22+LZB16M+LZG16+NL41

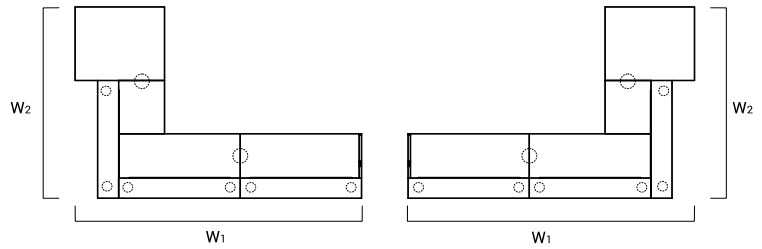
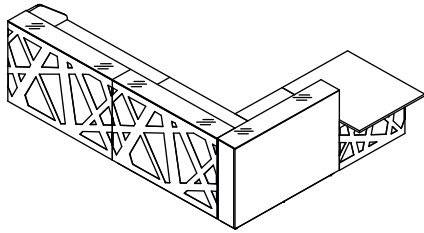
DESCRIPTION

- NET WEIGHT

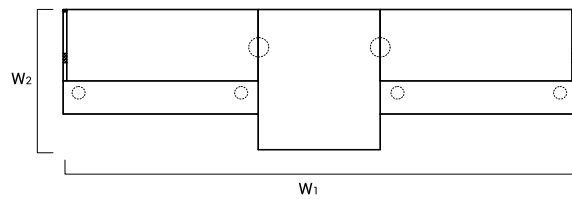
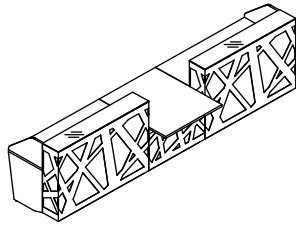
VOLUME

NUMBER OF PACKAGES

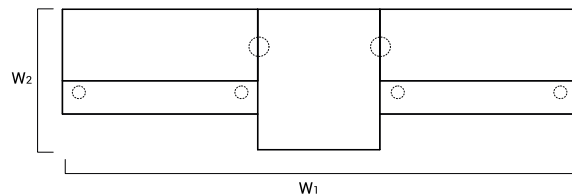
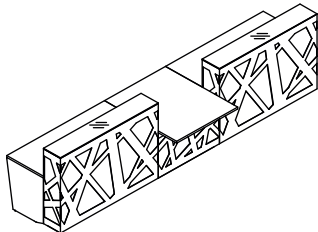
RECEPTION DESKS SYSTEMS



INDEX SYMBOL	DIMENSIONS					[mm]		⚖️	📦	📦		COMPONENTS
	W ₁	W ₂	D ₁	D ₂	H							
LZG58	3808	2880			1146			415.2	4.153	23		LZN51+LZK01+2xLZB16+2xLZG16 +LZG16M+LZB16M+LZG10N +2xNE41L



INDEX SYMBOL	DIMENSIONS					[mm]		⚖️	📦	📦		COMPONENTS
	W ₁	W ₂	D ₁	D ₂	H							
LZG52	4200	1180			1146			314.8	2.991	17		LZN51+LZK01+LZB16+LZG16 +LZG10+LZG16+LZB16+2xNE41L
LZG53	4800	1180			1146			344.8	3.435	18		LZN51+LZK01+LZB16+LZG16 +LZG10+LZG22+LZB22+2xNE41L
LZG54	5400	1180			1146			374.8	3.880	19		LZN51+LZK01+LZB22+LZG22 +LZG10+LZG22+LZB22+2xNE41L



INDEX SYMBOL	DIMENSIONS					[mm]		⚖️	📦	📦		COMPONENTS
	W ₁	W ₂	D ₁	D ₂	H							
LZG55	4200	1180			1146			307.8	2.971	16		LZN51+LZB16+2xLZG16+LZG10 +LZB16+2xNE41L

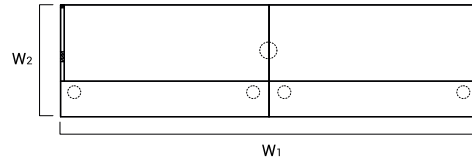
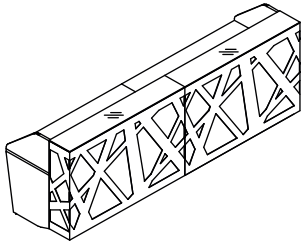
DESCRIPTION

⚖️ - NET WEIGHT

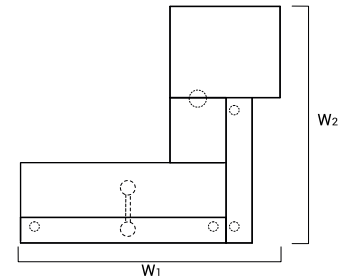
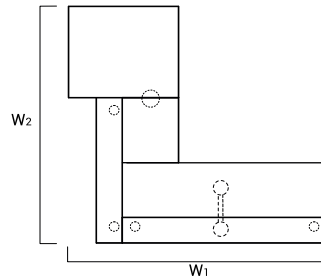
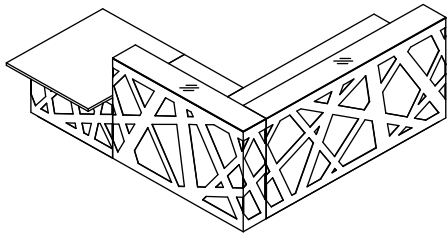
📦 VOLUME

📦 NUMBER OF PACKAGES

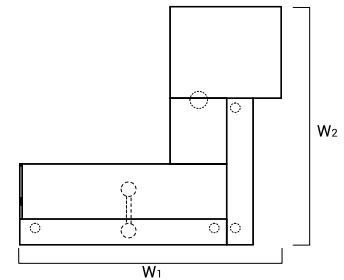
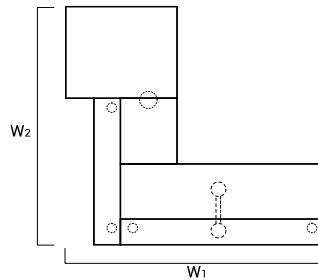
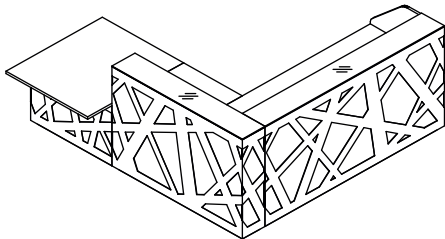
RECEPTION DESKS SYSTEMS



INDEX SYMBOL	DIMENSIONS [mm]						⚖️	📦	📦		COMPONENTS
	W ₁	W ₂	D ₁	D ₂	H						
LZG60	3200	880			1146		233.3	2.438	13		LZN51+LZK01+LZB16+LZG16 +LZB16+LZG16+NE41L
LZG61	3800	880			1146		263.3	2.882	14		LZN51+LZK01+LZB16+LZG16 +LZB22+LZG22+NE41L
LZG62	4400	880			1146		293.3	3.327	15		LZN51+LZK01+LZB22+LZG22 +LZB22+LZG22+NE41L



INDEX SYMBOL	DIMENSIONS [mm]						⚖️	📦	📦		COMPONENTS
	W ₁	W ₂	D ₁	D ₂	H						
LZG64	2600	2780			1146		328.3	3.383	16		LZN51+LZB22+LZG22+LZG16 +LZB16M+LZG10+NL41+NE41L



LZN51+LZK01+LZB22+LZG22+LZG16+LZG16M+LZG10+NL41+NE41




INDEX SYMBOL	DIMENSIONS [mm]					PRICE EUR	⚖️	📦	📦		COMPONENTS
	W ₁	W ₂	D ₁	D ₂	H						
LZG63	2600	2780	-	-	1146	10 650,-	335.3	3.402	17		LZN51+LZK01+LZB22+LZG22 +LZG16+LZG16M+LZG10+NL41 +NE41L

DESCRIPTION

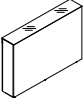

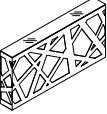
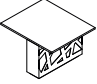


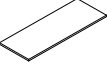


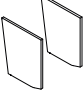

⚖️ - NET WEIGHT

📦 VOLUME


📦 NUMBER OF PACKAGES

PRODUCT ILLUSTRATION	DIMENSIONS [mm]			INDEX SYMBOL						COMMENTS
	WIDTH	DEPTH	HEIGHT			kg	m3	pcs		


COMPOSITION ELEMENTS




	1600	280	1146	LZG16M		88.5	1.143	2		
	1600	280	1146	LZG16		86.5	1.143	2		
	2200	280	1146	LZG22		107.5	1.523	2		
	1000	1180	740	LZG10		80.0	0.551	3		
	720	600	28	LZB16M		10.4	0.017	3		
	1320	600	28	LZB22M		18.1	0.031	4		
	1600	600	28	LZB16		18.4	0.049	3		
	2200	600	28	LZB22		25.4	0.050	3		use of support leg NL41 in the middle of worktop advisable!
	600	28	397	LZK01		7.0	0.020	1		
	600	28	712	LZN51		15.0	0.035	1		
	40	40	712	NE41L		1.5	0.002	1		round profile leg

DESCRIPTION

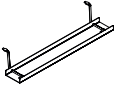

 - NET WEIGHT

 VOLUME

 NUMBER OF PACKAGES

PRODUCT ILLUSTRATION	DIMENSIONS [mm]			INDEX SYMBOL						COMMENTS
	WIDTH	DEPTH	HEIGHT			kg	m3	pcs		


COMPOSITION ELEMENTS

	585	142	712	NL41		2.0	0.063	1		round profile leg
	460	89	120	E64L		0.5	0.001	1		horizontal cable tray M009 - aluminum semi - matte
	580	162	123	S69L		1.0	0.015	1		09 - aluminum

DESCRIPTION

 - NET WEIGHT

 VOLUME

 NUMBER OF PACKAGES